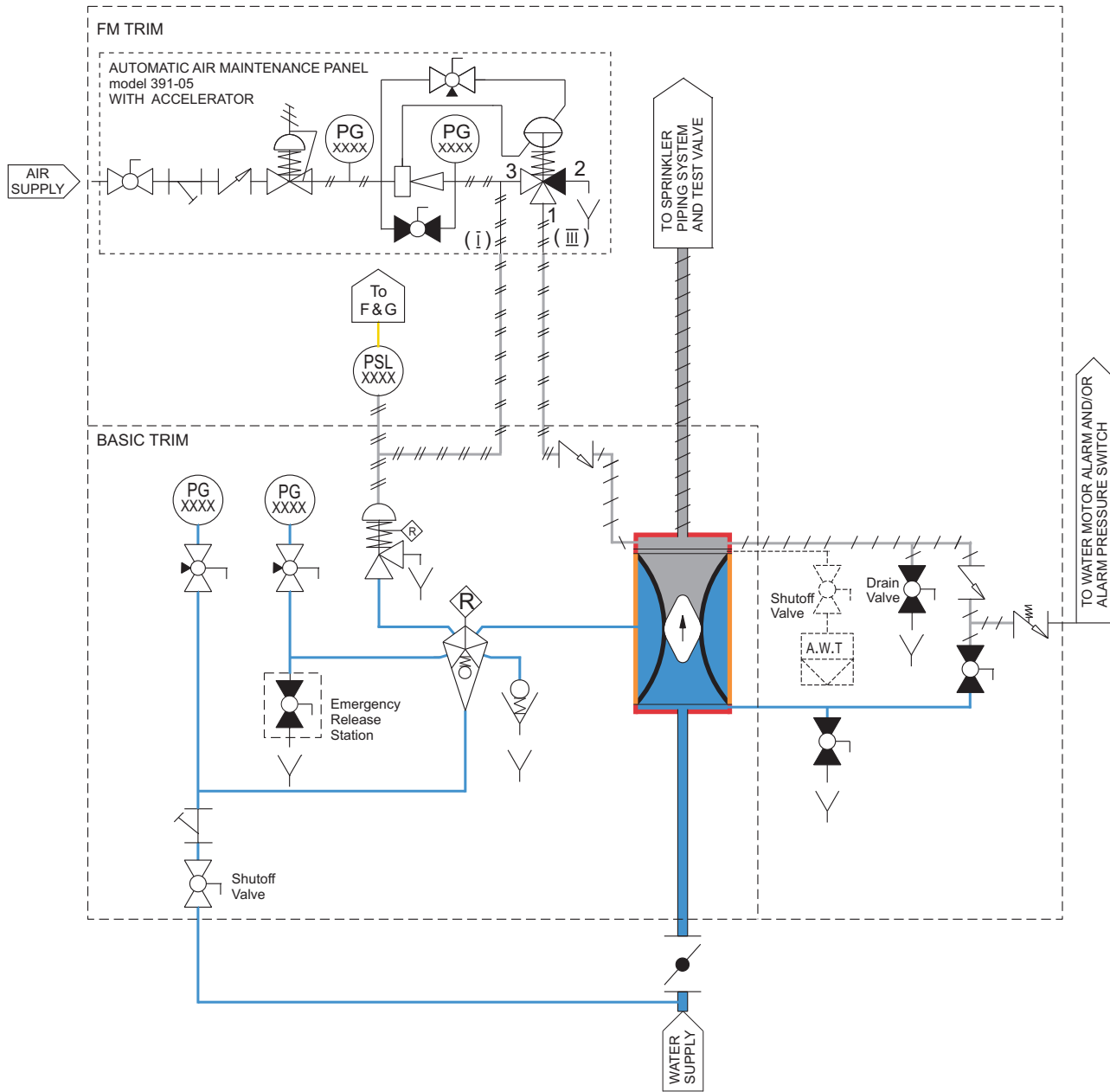


Series 700DX-04E01 - B

Piping & Instrumentation Diagram



Inbal Dry Pipe Valve, Pneumatic Actuation, Local Resetting, with Accelerator, Standard Material Control Trim, with Accelerator



	Inbal Automatic Water Control Valve (series 700DX)		Ball Valve, 2-Way, N.O. (series 351)		Pressure Gauge (series 131)		Pressure Supervisory Switch (series 161)
	Flow Release Pilot (model 375-08)		Ball Valve, 2-Way, N.C. (series 351)		Water Supply Valve		Pneumatic Actuator Resetttable, 2-Way, N.O. (model 379-08)
	Check Valve (series 371)		Automatic Condensate Drain System (A.W.T.)		Air Line		Accelerator Pilot 3-way
	Ejector (series 277)		Automatic Drain Valve (model 373-08)		Air / Water Line		Electric Line
	Check Valve (model 371-12-01)		Pressure Gauge Valve (series 353)		Drain System		Water Line
	Y-Strainer (series 31)						