

# Model 733DX-04C01

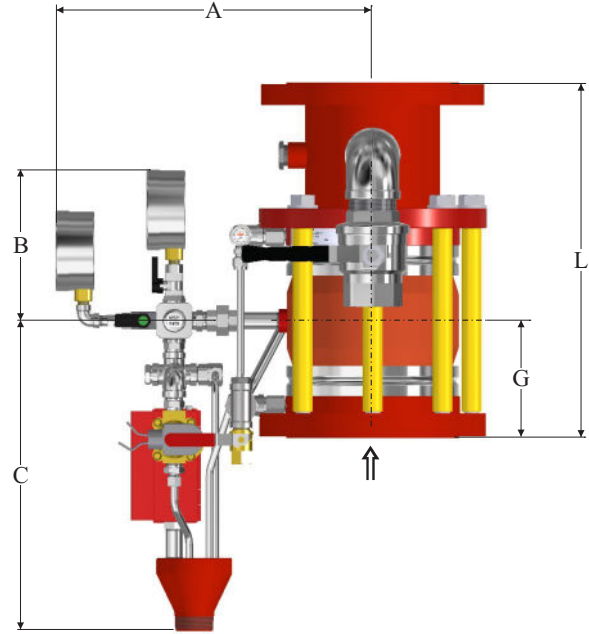
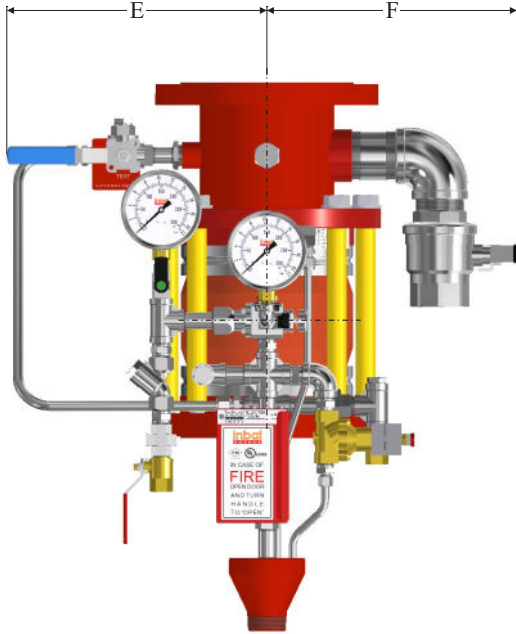
## FM Trim Overall Dimensions & Weights - Vertical Installation

Inbal Deluge Valve, Electric Actuation, Local Resetting, Standard Material Control Trim



v a l v e s

FM Approved



SIZE inches / mm	A	B	C	E	F	G	L	Weight* lbs / kg
<b>2</b>	14 ¾	7 ⅞	15 ⅜	11 ¼	10 ⅞	4 ½	12	93.5 lbs
<b>50</b>	375	200	390	295	270	115	307	43.0 kg
<b>2 ½</b>	14 ¾	7 ⅞	15 ⅜	11 ¼	10 ¾	4 ½	13 ⅛	96.0 lbs
<b>65</b>	375	200	390	295	273	115	335	44.0 kg
<b>3</b>	14 ¾	7 ⅞	15 ⅜	11 ¼	10 ¾	4 ¼	12 ¾	89.0 lbs
<b>80</b>	375	200	390	295	273	105	325	41.0 kg
<b>4</b>	15 ¼	7 ⅞	15 ⅜	12 ¼	11 ½	4 ¾	14 ¾	116.5 lbs
<b>100</b>	388	200	390	310	295	120	375	53.5 kg
<b>6</b>	16 ½	7 ⅞	15 ⅜	13 ¼	12 ¾	6	17 ½	162.5 lbs
<b>150</b>	418	200	390	340	323	150	444	74.5 kg
<b>8</b>	17 ⅞	7 ⅞	15 ⅜	14 ¼	13 ½	7 ¼	20	232.0 lbs
<b>200</b>	447	200	390	365	345	180	508	106.5 kg
<b>10</b>	18 ½	7 ⅞	15 ⅜	15 ¼	14 ¾	8 ¼	22 ½	322.5 lbs
<b>250</b>	472	200	390	385	375	210	572	148.0 kg
<b>12</b>	19 ¼	7 ⅞	15 ⅜	16 ¼	15 ⅞	10	25 ⅞	460.0 lbs
<b>300</b>	488	200	390	410	390	255	657	211.0 kg

\* Refer to Standard Material Valve.



# Model 733DX-04C01

## FM Trim Chart - Vertical Installation

Inbal Deluge Valve, Electric Actuation, Local Resetting, Standard Material Control Trim



Item	Description	Qty	Material	Cat. No.
1	Inbal Automatic Water Control Valve model 733DX	1	See bulletin F02-03	1733DX01DDSSSS
2	Emergency Release Station model 393-01	1	See bulletin F34-04	239302001002
3	2-Way Ball Valve 1/2", series 351	2	See bulletin F40-08	235102008000
4	Y-Pattern Strainer 1/2", series 31	1	See bulletin F40-03	231006008001
5	F.R.P. model 375-08	1	See bulletin F33-01	137502008000
6	Hex. Nipple 1/2"	4	St.St.304	212206008001
7	Nipple 1/2", L=4" (102 mm)	1	St.St.304	212206018001
8	Union 1/2" M x F	3	St.St.304	210406008006
9	Plug 1/2"	5	St.St.304	212106008000
10	Plug 3/4"	1	See note (a)	212106012000
11	Tee 1/2"	5	St.St.304	210106008001
12	Cross 1/2"	1	St.St.304	211106008001
13	Nipple 1/2", L=2" (50 mm)	1	St.St.304	212206003000
14	Nipple 1/2", L=2 1/2" (63 mm)	3	St.St.304	212206016001
15	Automatic Drain Valve model 373-08	2	See bulletin F40-13	137302008000
16	Elbow 1/2"	1	St.St.304	210006008001
17	Solenoid valve model 157-01	1		215702001001
18	Elbow 1/4"	1	St.St.304	210006004001
19	Hex. Nipple 1/4" L= 1 1/16" (43 mm)	1	St.St.304	212206004003
20	Pressure Gauge	2	See bulletin F40-15	213106041002
21	Pressure Gauge Valve 1/2" x 1/4"	2	See bulletin F40-09	235302008001
22 (e)	Red. Nipple 1/2" x 1/4", L=2" (51 mm)	2	St.St.304	212306012001
(f)	Red. Nipple 1/2" x 1/4", L=2.4" (61 mm)	2	St.St.304	
23	Tube Fitting 1/4"NPT x 3/8"OD	2	Brass, Ni-Cr plated	314002003000
24	Drain Tube 3/8" OD	1	St.St.316	994006060000
25	Drain Tube 3/8" OD	1	St.St.316	994006060000
26	Tube Fitting 1/2"NPT x 3/8" OD	1	Brass, Ni-Cr plated	314002007000
27	Drain Tube 3/8" OD	1	St.St.316	994006060000
28	Twin Ferrules Fitting 1/2"NPT x 1/2"OD	2	Brass, Ni-Cr plated	318902007000
29	Alarm Test Tube 1/2"OD	1	St.St.316	994006008000
30	Alarm Test Valve model 347-08-02	1	See bulletin F40-06	234706008000
30.1	Alarm Test Valve Label	1	P.V.C.	
31	Drain Cup	1	Steel, Epoxy coated	397000000000
32	Bushing 3/4"M x 1/2"F	1	See note (a)	211006002001
33 (b)	2-Way Ball Valve 3/4", series 351	1	See bulletin F40-08	235102020000
(c)	2-Way Ball Valve 1 1/2", series 351	1	See bulletin F40-08	235102040000
(d)	2-Way Ball Valve 2", series 351	1	See bulletin F40-08	235102050000
34 (b)	Nipple 3/4", L=3 1/4" (83 mm)	1	St.St.304	212206010001
(c)	Nipple 1 1/2", L=3 1/4" (83 mm)	1	St.St.304	212206001000
(d)	Nipple 2", L=3 1/4" (83 mm)	1	St.St.304	212206009001
35 (b)	Elbow 3/4"	1	See note (a)	210006012001
(c)	Elbow 1 1/2"	1	See note (a)	210006024001
(d)	Elbow 2"	1	See note (a)	210006032001

Notes: (a) Brass, Ni-Cr plated or Stainless Steel AISI 304.  
 (b) For 2" (50 mm) Inbal Valves.  
 (c) For 2 1/2" & 3" (65 & 80 mm) Inbal Valves.

(d) For 4"; 6"; 8"; 10" & 12" (100; 150; 200; 250 & 300 mm) Inbal Valves.  
 (e) For 2"; 2 1/2"; 3"; 4" & 6" (50; 65; 80; 100 & 150 mm) Inbal Valves.  
 (f) For 8"; 10" & 12" (200; 250 & 300 mm) Inbal Valves.