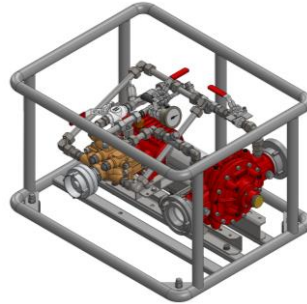


■ DATA SHEET PROPORTIONER FD500/3(1)-M GEN III FOR MOBILE EXTINGUISHING SYSTEMS.



■ 1. TECHNICAL DATA.

Type	FD500/3(1)-M
Proportioning rates	3 %, 1 % (stepwise adjustment)
Max. water flow rate	500 l/min
Min. water flow rate ¹⁾	80 l/min
Max. operating pressure	16 bar
Operating temperature ²⁾	5 °C – 50 °C
Weight	approx. 61 kg freshwater approx. 80 kg seawater

1) The nominal proportioning rate is achieved when reaching the specified minimum figure. Indication for proportioning of fluid Newtonian foam agents at an operating pressure of 5 bar. More details on page 2 in paragraph 4. "Minimum water flow rate".

2) Operating temp. is the max. ambient and medium (foam and extinguishing water) temperature.
Max. permitted foam agent temperature is generally 50 °C.

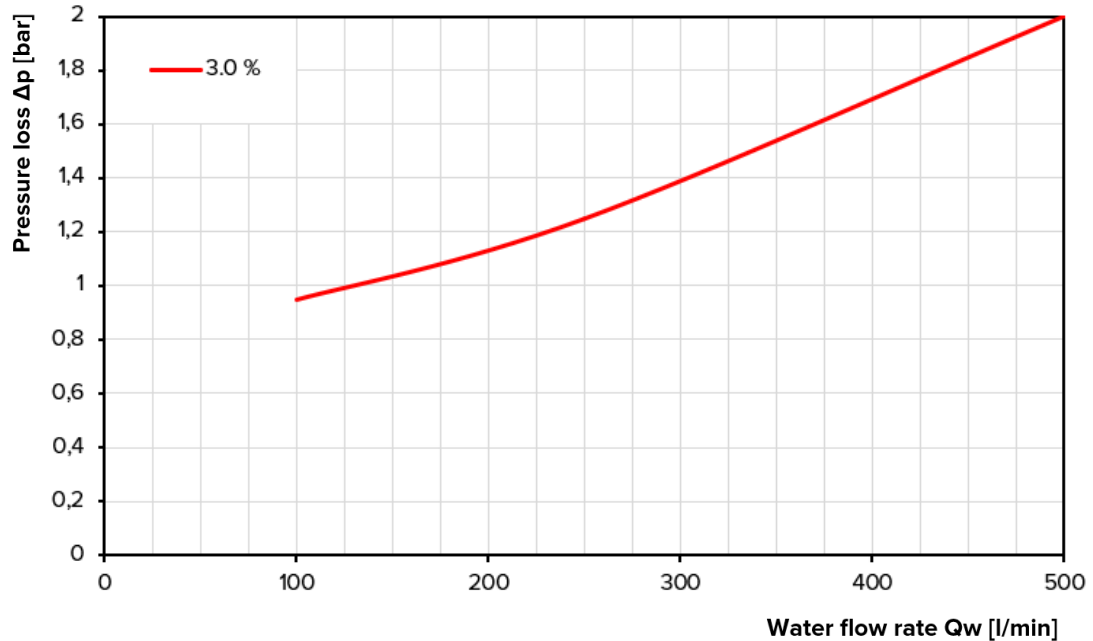
■ 2. MATERIALS.

	Freshwater	Seawater
Water motor:	Cast aluminium G-AISI7Mg HC-coated, AlMgSi1 HC-PTFE-coated, stainless steel 316, 316Ti, POM, PVDF, NBR, FKM	Cast bronzeGB-CuSn10, aluminium bronze CuAl10Ni5Fe4, stainless steel 316, 316Ti, POM, PVDF, NBR, FKM
Proportioning pump:	FKM, PTFE, 316Ti, ceramic, steel, CuAl10Fe5Ni5, G-AlMg3Si	
Pipework:	316Ti, AISI 316, FKM	
Coupling:	aluminium, 316, T-PUR	AISI 303, 316, T-PUR
Support frame:	AISI 304, 316Ti	



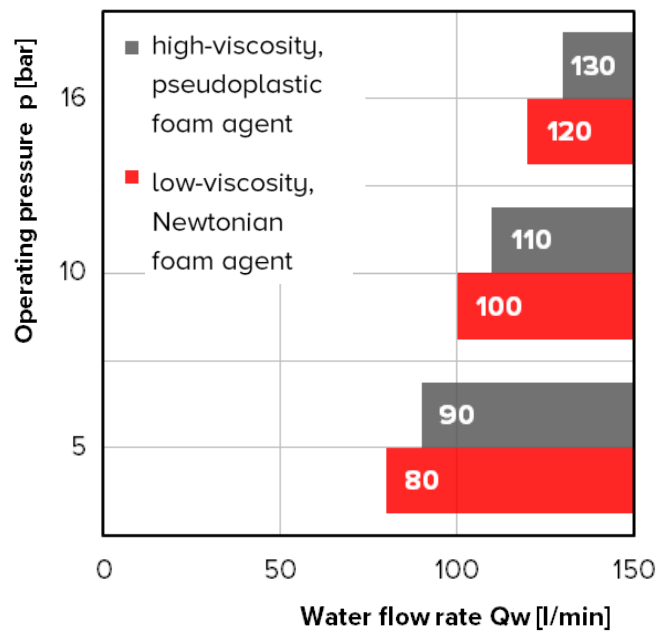
■ 3. PRESSURE LOSS.

Indication valid for operating pressure of 10 bar. For more information on different system conditions or proportioning rates, please contact us.

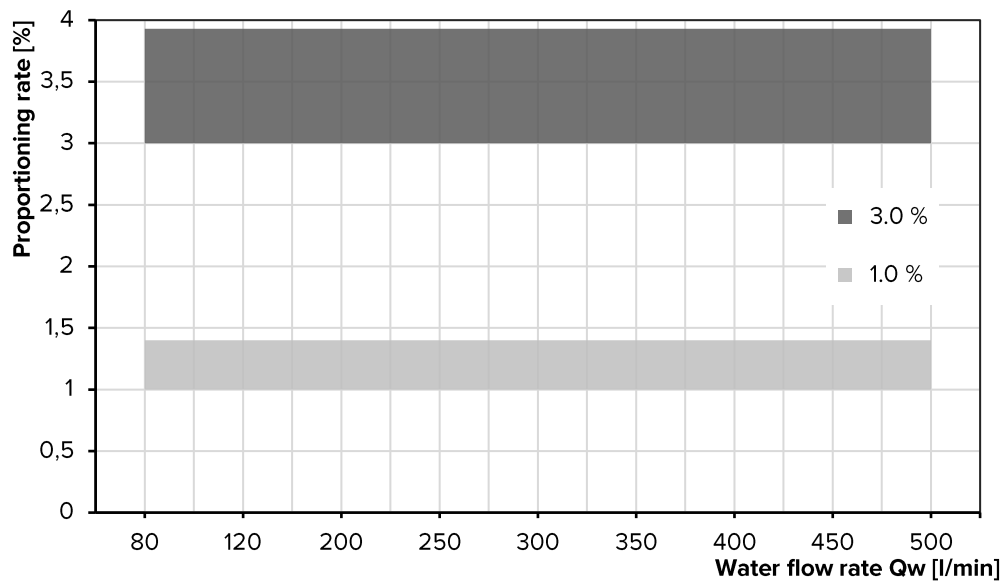


■ 4. MINIMUM WATER FLOW RATE.

The following diagram shows the effect of the operating pressure and foam agent viscosity on the minimum water flow rate.

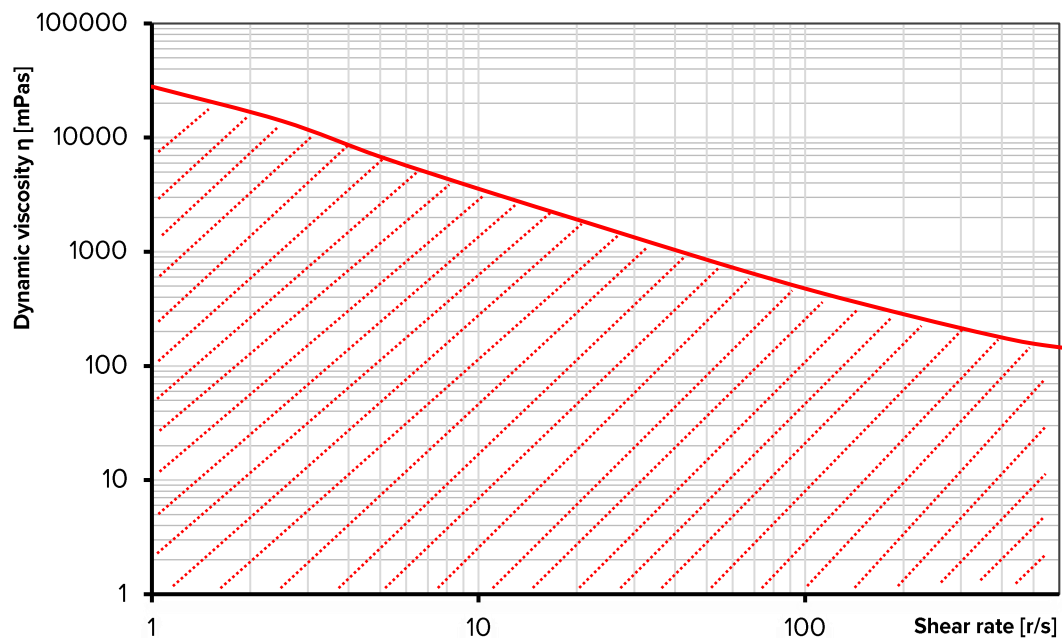


■ 5. OPERATING RANGE.

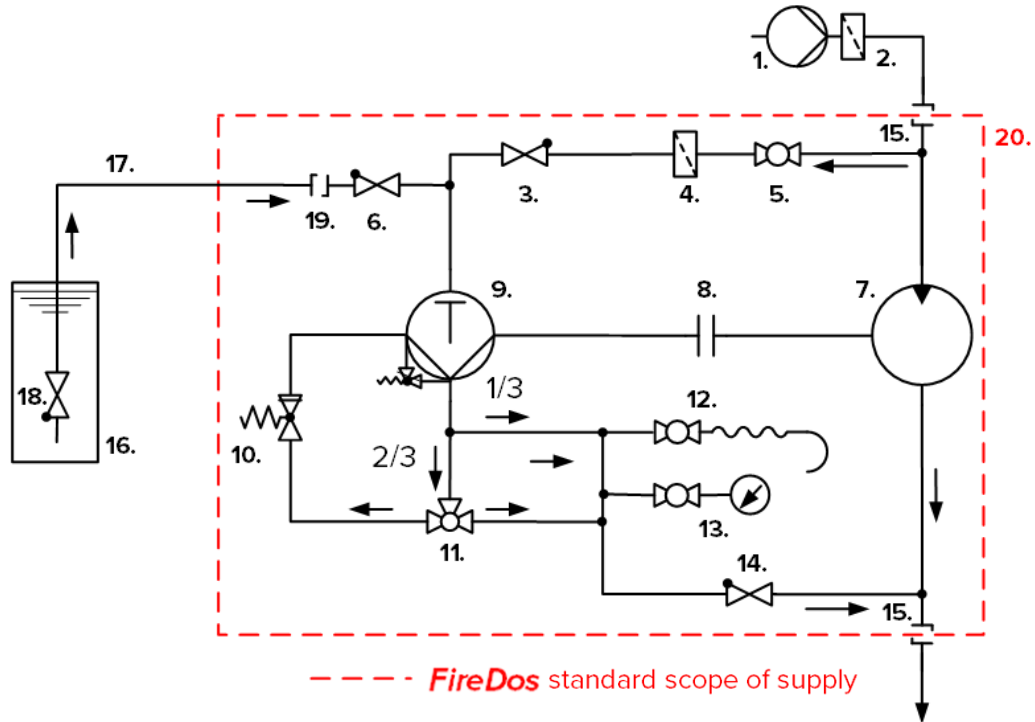


■ 6. FOAM AGENT VISCOSITY.

The **FireDos** proportioner for fire trucks is suitable for all foam agents up to a maximum viscosity as specified in the below diagram. Please contact us if the dynamic viscosity of your foam agent is higher than the values in the diagram.

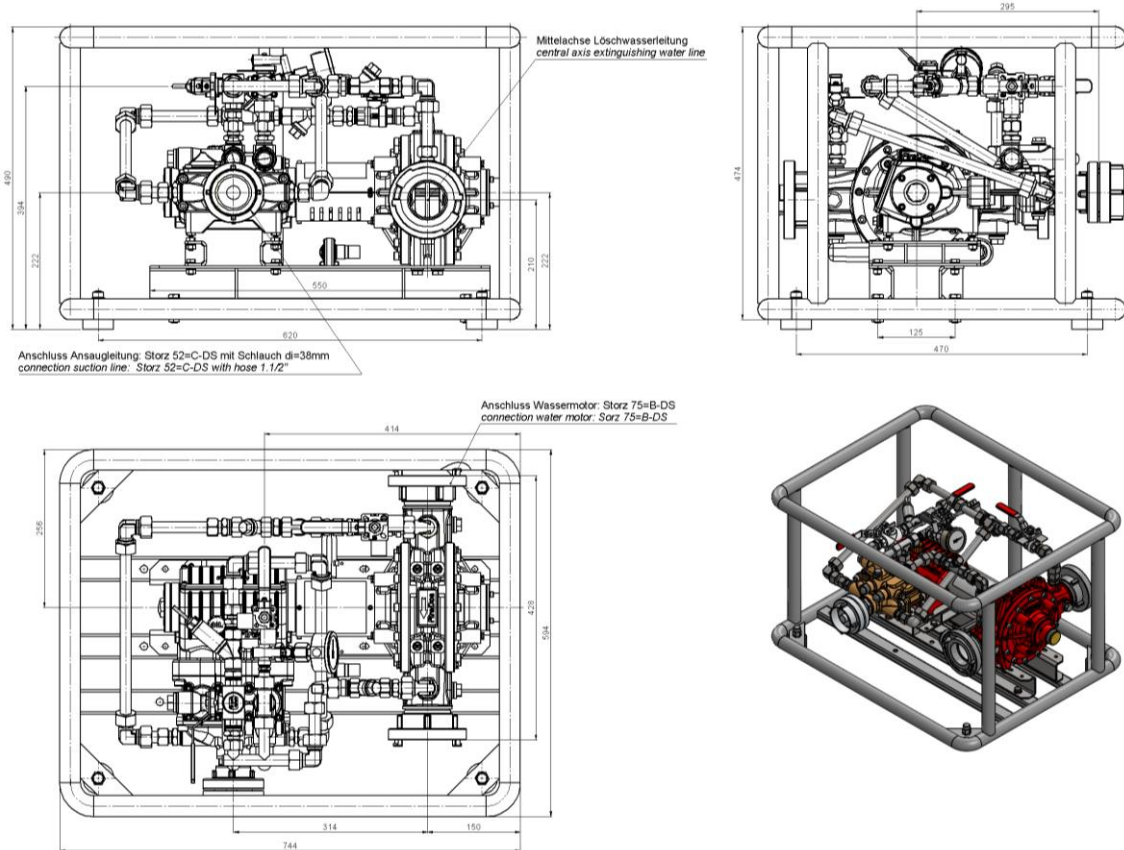


■ 7. FLOW DIAGRAM.



- | | |
|--|---|
| 1. Water supply | 11. Cylinder cut-off 3% / 1% |
| 2. Water filter | 12. Air bleed valve of proportioning pump |
| 3. Check valve in the flushing line | 13. Pressure gauge with shut-off valve |
| 4. Filter in the flushing line | 14. Check valve in the proportioning line |
| 5. 2-way ball valve "Flushing/Priming" | 15. Storz-type coupling on water motor |
| 6. Check valve in the suction line | 16. Foam agent supply |
| 7. Water motor | 17. Suction hose |
| 8. Coupling | 18. Check valve of suction hose |
| 9. Proportioning pump | 19. Storz-type coupling on suction line |
| 10. Cylinder cut-off pressure sustaining valve | 20. Standard scope of supply of FireDos proportioner |

8. DIMENSIONS.



Type	FD500/3(1)-M
Connection water motor	Storz coupling 75=B-DS
Connection suction line	Storz 50=C-DS, hose di=38mm
Length L	744 mm
Width W	594 mm
Height H	490 mm

Please allow sufficient accessibility of the proportioner for maintenance work.

9. MANUFACTURER.

FireDos GmbH, Auf der Kaulbahn 6, 61200 Woelfersheim, Germany
Phone +49 (0) 6036 9796-0, Email: info@firedos.de

We reserve the right to make modifications at any time.