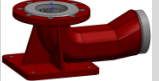


■ DATA SHEET MONITORS M2 – M7

REMOTE-CONTROLLED, WITH DIRECT CURRENT DRIVES 24V DC AND MULTI-PURPOSE NOZZLE (MPN).

■ 1. GENERAL TECHNICAL DATA.

Type series	M2	M3	M4	M5	M7	M7
Max. water flow rate	2500 l/min	4000 l/min	8000 l/min	12 000 l/min	20 000 l/min	24 000 l/min
Connecting flange (optionally)	DN65 PN16 DN80 PN16	DN80 PN16 DN100 PN16	DN100 PN16 DN150 PN16	DN150 PN16 DN200 PN16	DN200 PN16	DN200 PN16
	ASME B 16.5 150 lbs. 2 ½" ASME B 16.5 150 lbs. 3"	ASME B 16.5 150 lbs. 3" ASME B 16.5 150 lbs. 4"	ASME B 16.5 150 lbs. 4" ASME B 16.5 150 lbs. 6"	ASME B 16.5 150 lbs. 6" ASME B 16.5 150 lbs. 8"	ASME B 16.5 150 lbs. 8"	ASME B 16.5 150 lbs. 8"
Elbow (optionally) 	G4" Male thread	G4" Male thread	G5" Male thread	G5" Male thread	-	-
Max. op. pressure	16 bar					



Valid for selected product types.
See separate data sheet.



www.firedos.com

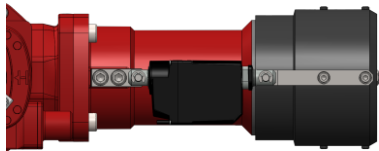
■ 2. SPECIFIC TECHNICAL DATA.

Direct current drives of pivot mounting:	M2-DC	M3-DC	M4-DC	M5-DC	M7-DC	M7-DC
Swivelling range	Horizontal 340° / vertical up to +90°					
Swivelling speed (H – Horizontal, V- Vertical)	H 8°/s // V 7°/s	H 8°/s // V 7°/s	H 10°/s // V 4°/s	H 10°/s // V 2°/s	H 6°/s // V 2°/s	H 6°/s // V 2°/s
Operating voltage	24 V DC					
Current consumption per drive	3.1 A	3.1 A	8.5 A	8.5 A	8.5 A	8.5 A
Protection class	IP 65					
Operating temperature	-30° C to +60° C					
Position indication	4 – 20 mA					
Corresponding nozzle, direct current:	MPN2-DC	MPN4-DC	MPN8-DC	MPN12-DC	MPN20-DC	MPN24-DC
Operating voltage	24 V DC					
Current consumption	2 A	2 A	2 A	2 A	2 A	2 A
Protection class	IP 66					

3. MULTI-PURPOSE NOZZLE (MPN).

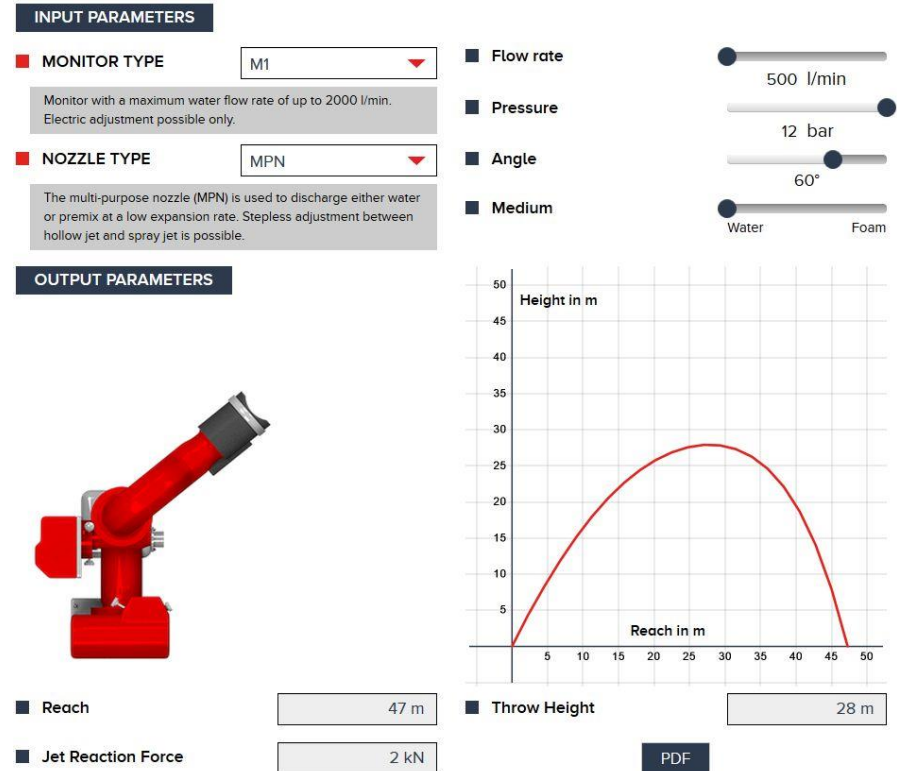
The multi-purpose nozzle (“Multi Purpose Nozzle” = MPN) is used for the discharge of water or premix at a low foam expansion rate. The manual stepless adjustment between hollow jet and spray jet is possible also during operation. The maximum spray angle is 100°.

The nozzle is factory-set to a fixed extinguishing agent flow rate in accordance with the available system pressure. If requested, this setting can be adjusted later on.

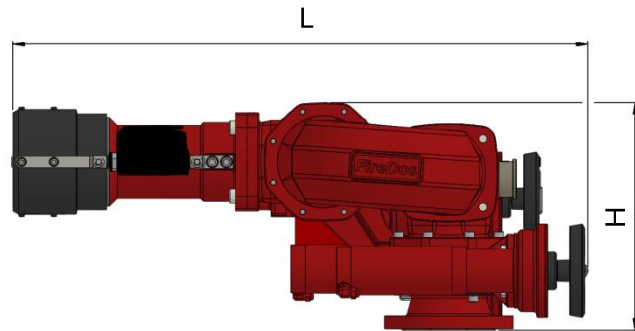


4. REACH AND REACTION FORCE.

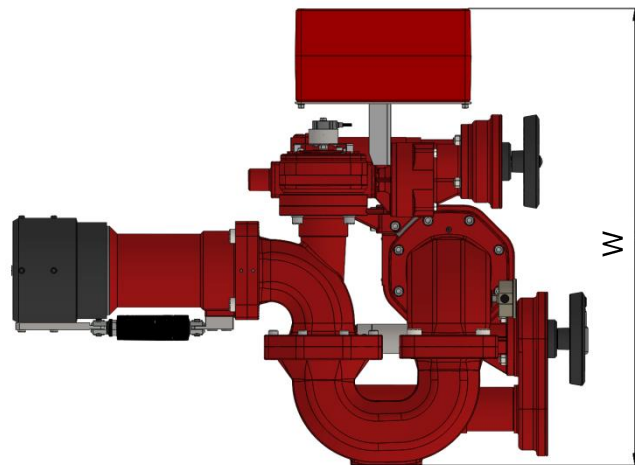
Using the app at www.firedos.com/monitorapp, you can determine the reach curve and the reaction forces depending on your operating conditions.



■ 5. DIMENSIONS.



	Length L	Width W	Height H	Weight
M2-DC / MPN2-DC	660 mm	450 mm	275 mm	35 kg
M3-DC / MPN4-DC	745 mm	490 mm	320 mm	46 kg
M4-DC / MPN8-DC	980 mm	780 mm	290 mm	100 kg
M5-DC / MPN12-DC	1190 mm	865 mm	500 mm	130 kg
M7-DC / MPN20-DC	1550 mm	1025 mm	625 mm	200 kg
M7-DC / MPN24-DC	1650 mm	1025 mm	625 mm	210 kg



■ 6. MATERIALS.

- Cast aluminium AlSi7Mg 0.3 with HC and powder coating
- AlMgSi1 with HC and powder coating
- Stainless steel V2A and V4A
- NBR
- Powder coating Red (RAL 3020) as a standard

■ 7. SPECIAL EQUIPMENT OPTIONS.

- Controls
- Swivelling unit to move between work and rest position

■ 8. MANUFACTURER.

FireDos GmbH, Auf der Kaulbahn 6, 61200 Woelfersheim, Germany
Phone +49 (0) 6036 9796-0, Email: info@firedos.de

We reserve the right to make modifications at any time.
All figures are approximate and subject to the particular version/equipment.