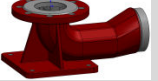


■ DATA SHEET MONITORS M2 – M9

REMOTE-CONTROLLED, WITH DIRECT CURRENT DRIVES 24V DC,
AND ADJUSTABLE MULTI-PURPOSE NOZZLE
(AMPN).

■ 1. GENERAL TECHNICAL DATA.

Type series	M2	M3	M4	M5	M7	M7	M9
Max. water flow rate	2500 l/min	4000 l/min	8000 l/min	12 000 l/min	20 000 l/min	24 000 l/min	40 000 l/min
Connecting flange (optionally)	DN65 PN16 DN80 PN16	DN80 PN16 DN100 PN16	DN100 PN16 DN150 PN16	DN150 PN16 DN200 PN16	DN200 PN16	DN200 PN16	DN250 PN16
	ASME B 16.5 150 lbs. 2 ½" ASME B 16.5 150 lbs. 3"	ASME B 16.5 150 lbs. 3" ASME B 16.5 150 lbs. 4"	ASME B 16.5 150 lbs. 4" ASME B 16.5 150 lbs. 6"	ASME B 16.5 150 lbs. 6" ASME B 16.5 150 lbs. 8"	ASME B 16.5 150 lbs. 8"	ASME B 16.5 150 lbs. 8"	ASME B 16.5 150 lbs. 10"
Elbow (optionally) 	G4" Male thread	G4" Male thread	G5" Male thread	G5" Male thread	-	-	-
Max. op. pressure	16 bar						



■ 2. SPECIFIC TECHNICAL DATA.

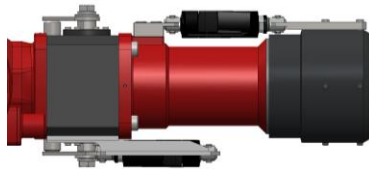
Alternating current drives of pivot mounting:	M2-DC	M3-DC	M4-DC	M5-DC	M7-DC	M7-DC	M9-DC
Swivelling range	Horizontal 350° / vertical ±90° at smallest connecting flange each; +90° / -80° at largest connecting flange each						
Swivelling speed (H – Horizontal, V- Vertical)	H 8°/s // V 7°/s	H 8°/s // V 7°/s	H 10°/s // V 4°/s	H 10°/s // V 2°/s	H 6°/s // V 2°/s	H 6°/s // V 2°/s	H 4°/s // V 1°/s
Operating voltage	24 V DC						
Current consumption per drive	3.1 A	3.1 A	8.5 A	8.5 A	8.5 A	8.5 A	15 A
Protection class	IP 65						
Operating temperature	-30° C to +60° C						
Position indication	4 – 20 mA						
Corresponding nozzle, direct current:	AMPN2-DC	AMPN4-DC	AMPN8-DC	AMPN12-DC	AMPN20-DC	AMPN24-DC	AMPN40-DC
Operating voltage	24 V DC						
Current consumption Jet adjustment	2 A	2 A	2 A	2 A	2 A	2 A	4 A
Current consumption Ext. agent adjustment	2.5 A	2.5 A	2.5 A	2.5 A	10 A	10 A	10 A
Protection class	IP 66						

3. ADJUSTABLE MULTI-PURPOSE NOZZLE (AMPN).

The adjustable multi-purpose nozzle (= AMPN) is used for the discharge of water or premix at a low foam expansion rate. The manual stepless adjustment between hollow jet and spray jet is possible also during operation.

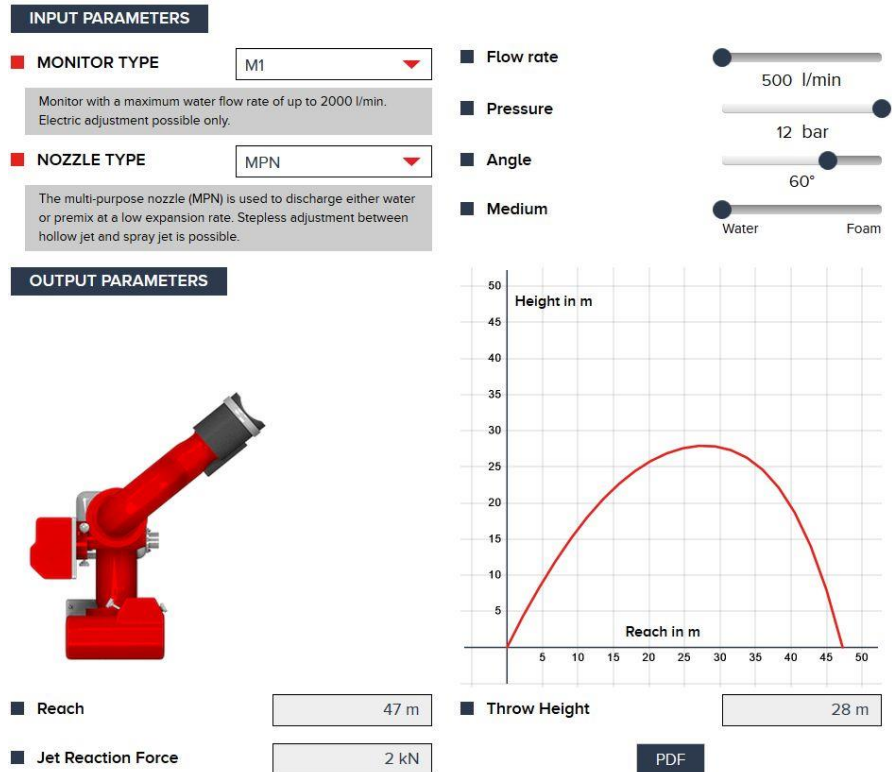
The maximum spray angle is 100°.

The nozzle is factory-set to a fixed extinguishing agent flow rate in accordance with the available system pressure. If requested, this setting can be adjusted later on.

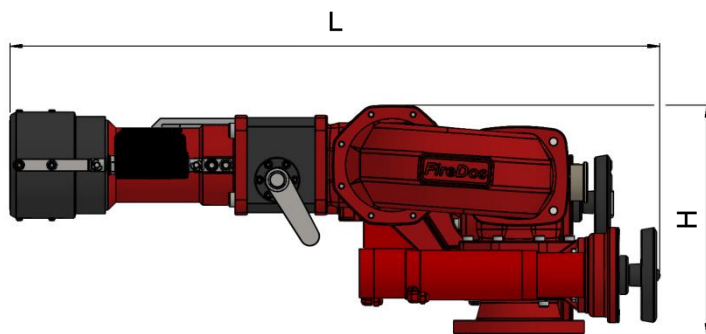


4. REACH AND REACTION FORCE.

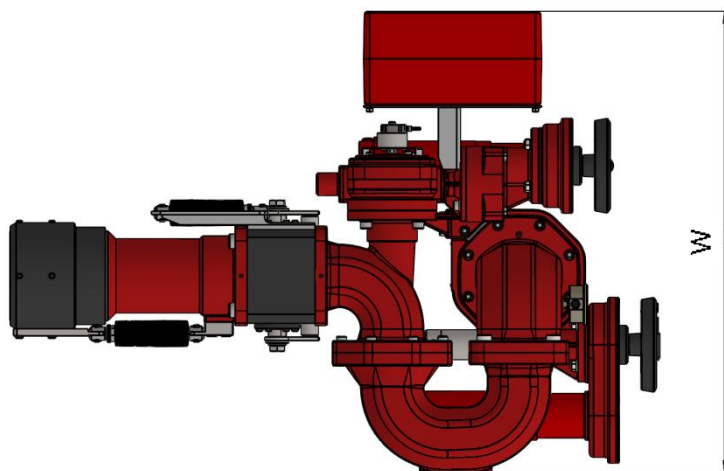
Using the app at www.firedos.com/monitorapp, you can determine the reach curve and the reaction forces depending on your operating conditions.



■ 5. DIMENSIONS.



	Length L	Width W	Height H	Weight
M2-DC / AMPN2-DC	685 mm	450 mm	275 mm	41 kg
M3-DC / AMPN4-DC	795 mm	490 mm	320 mm	53 kg
M4-DC / AMPN8-DC	1095 mm	780 mm	390 mm	111 kg
M5-DC / AMPN12-DC	1330 mm	865 mm	515 mm	150 kg
M7-DC / AMPN20-DC	1550 mm	1025 mm	635 mm	225 kg
M7-DC / AMPN24-DC	1650 mm	1025 mm	635 mm	235 kg
M9-DC / AMPN40-DC	2060 mm	1200 mm	825 mm	660 kg



■ 6. MATERIALS.

- Cast aluminium AlSi7Mg 0.3 with HC and powder coating
- AlMgSi1 with HC and powder coating
- Stainless steel V2A and V4A
- NBR
- Powder coating Red (RAL 3020) as a standard

■ 7. SPECIAL EQUIPMENT OPTIONS.

- Controls
- Swivelling unit to move between work and rest position (M2 type series only)

■ 8. MANUFACTURER.

FireDos GmbH, Auf der Kaulbahn 6, 61200 Woelfersheim, Germany
Phone +49 (0) 6036 9796-0, Email: info@firedos.de

We reserve the right to make modifications at any time.
All figures are approximate and subject to the particular version/equipment.