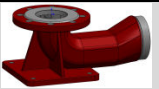


**■ DATA SHEET MONITORS M2 – M9**  
 WITH ADJUSTABLE  
 MULTI-PURPOSE NOZZLE (AMPN).

**■ 1. GENERAL TECHNICAL DATA.**

Type series	M2	M3	M4	M5	M7	M7	M9
Max. water flow rate	2500 l/min	4000 l/min	8000 l/min	12 000 l/min	20 000 l/min	24 000 l/min	40 000 l/min
Connecting flange (optionally)	DN65 PN16 DN80 PN16	DN80 PN16 DN100 PN16	DN100 PN16 DN150 PN16	DN150 PN16 DN200 PN16	DN200 PN16	DN200 PN16	DN250 PN16
	ASME B 16.5 150 lbs. 2 ½" ASME B 16.5 150 lbs. 3"	ASME B 16.5 150 lbs. 3" ASME B 16.5 150 lbs. 4"	ASME B 16.5 150 lbs. 4" ASME B 16.5 150 lbs. 6"	ASME B 16.5 150 lbs. 6" ASME B 16.5 150 lbs. 8"	ASME B 16.5 150 lbs. 8"	ASME B 16.5 150 lbs. 8"	ASME B 16.5 150 lbs. 10"
Elbow (optionally) 	G4" Male thread	G4" Male thread	G5" Male thread	G5" Male thread	-	-	-
Max. op. pressure	16 bar						



## ■ 2. SPECIFIC TECHNICAL DATA.

### Hand lever version:

Type	M2-L	M3-L	M4-L
Corresponding nozzle	AMPN2	AMPN4	AMPN8
Swivelling range	Horizontally 360° / vertically up to +90°		
Operating temperature	-40 °C up to +80 °C		

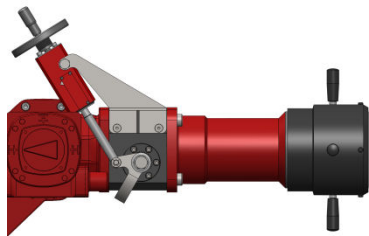
### Hand wheel version:

Type	M2-MO	M3-MO	M4-MO	M5-MO	M7-MO	M7-MO	M9-MO
Corresponding nozzle	AMPN2	AMPN4	AMPN8	AMPN12	AMPN20	AMPN24	AMPN40
Swivelling range	Horizontally 360° / vertically up to +90°						
Operating temperature	-40 °C up to +80 °C						

Also available as ATEX version with the following designation: Ex II 2G IIB c T4 / II 2D IIB c T<130°C.

## 3. ADJUSTABLE MULTI-PURPOSE NOZZLE (AMPN).

The adjustable multi-purpose nozzle (= AMPN) is used for the discharge of water or premix at a low foam expansion rate. The manual stepless adjustment between hollow jet and spray jet is possible also during operation. The maximum spray angle is 100°.



## 4. REACH AND REACTION FORCE.

Using the app at [www.firedos.com/monitorapp](http://www.firedos.com/monitorapp), you can determine the reach curve and the reaction forces depending on your operating conditions.

### INPUT PARAMETERS

**MONITOR TYPE** 
  
Monitor with a maximum water flow rate of up to 2000 l/min. Electric adjustment possible only.

**NOZZLE TYPE** 
  
The multi-purpose nozzle (MPN) is used to discharge either water or premix at a low expansion rate. Stepless adjustment between hollow jet and spray jet is possible.

**Flow rate**

**Pressure**

**Angle**

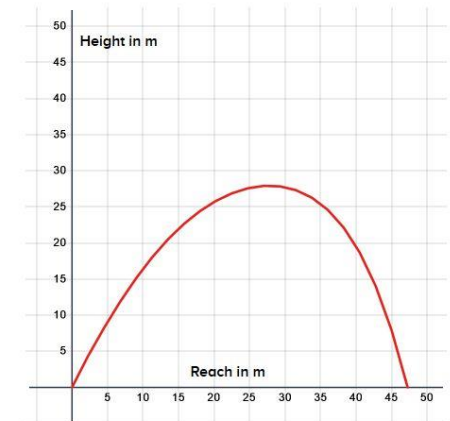
**Medium**

### OUTPUT PARAMETERS



**Reach**

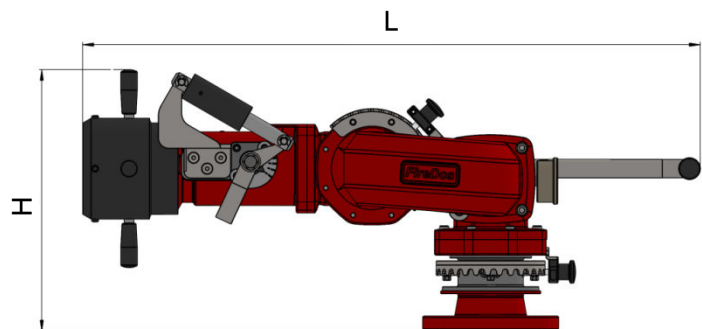
**Jet Reaction Force**



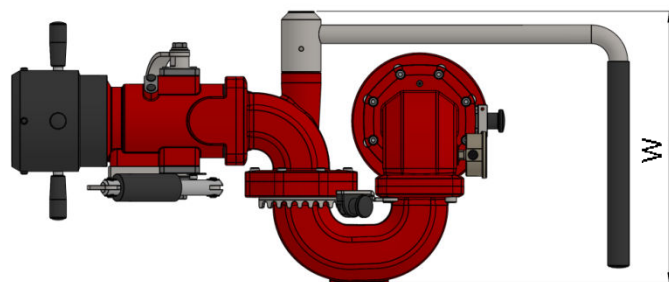
**Throw Height**

PDF

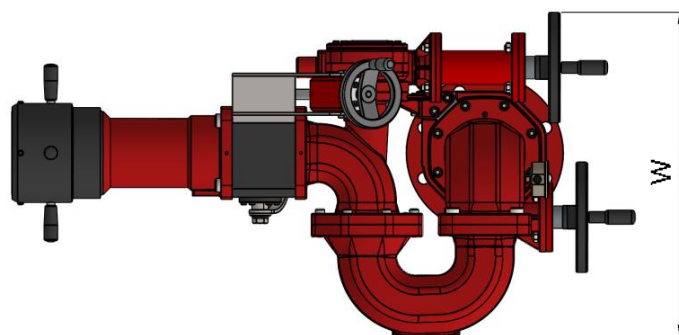
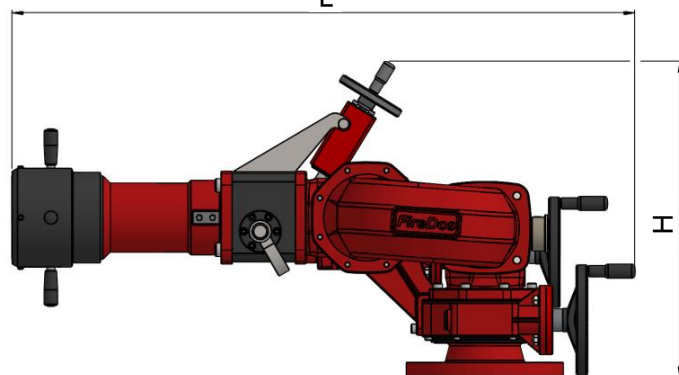
## ■ 5. DIMENSIONS FOR VERSION WITH HAND LEVER (-L).



	Length L	Width W	Height H	Weight
<b>M2-L / AMPN2</b>	755 mm	380 mm	335 mm	24 kg
<b>M3-L / AMPN4</b>	910 mm	400 mm	385 mm	37 kg
<b>M4-L / AMPN8</b>	1435 mm	590 mm	570 mm	67 kg



## ■ 6. DIMENSIONS FOR VERSION WITH HAND WHEELS (-MO) L



	Length L	Width W	Height H	Weight
<b>M2-MO / AMPN2</b>	720 mm	385 mm	340 mm	28 kg
<b>M3-MO / AMPN4</b>	770 mm	440 mm	375 mm	42 kg
<b>M4-MO / AMPN8</b>	1130 mm	590 mm	575 mm	73 kg
<b>M5-MO / AMPN12</b>	1370 mm	700 mm	700 mm	112 kg
<b>M7-MO / AMPN20</b>	1590 mm	890 mm	895 mm	175 kg
<b>M7-MO / AMPN24</b>	1690 mm	890 mm	895 mm	185 kg
<b>M9-MO / AMPN40</b>	2105 mm	1200 mm	980 mm	630 kg

## ■ 7. MATERIALS.

- Cast aluminium AlSi7Mg 0.3 with HC and powder coating
- AlMgSi1 with HC and powder coating
- Stainless steel V2A and V4A
- NBR
- Powder coating Red (RAL 3020) as a standard

## ■ 8. MANUFACTURER.

**FireDos** GmbH, Auf der Kaulbahn 6, 61200 Woelfersheim, Germany  
Phone +49 (0) 6036 9796-0, Email: [info@firedos.de](mailto:info@firedos.de)

We reserve the right to make modifications at any time.  
All figures are approximate and subject to the particular version/equipment.