

■ DATA SHEET FIRE TRAILER FT8 / FT12 / FT20 / FT24 FIRE TRAILER WITH MONITOR.

■ 1. TECHNICAL DATA.

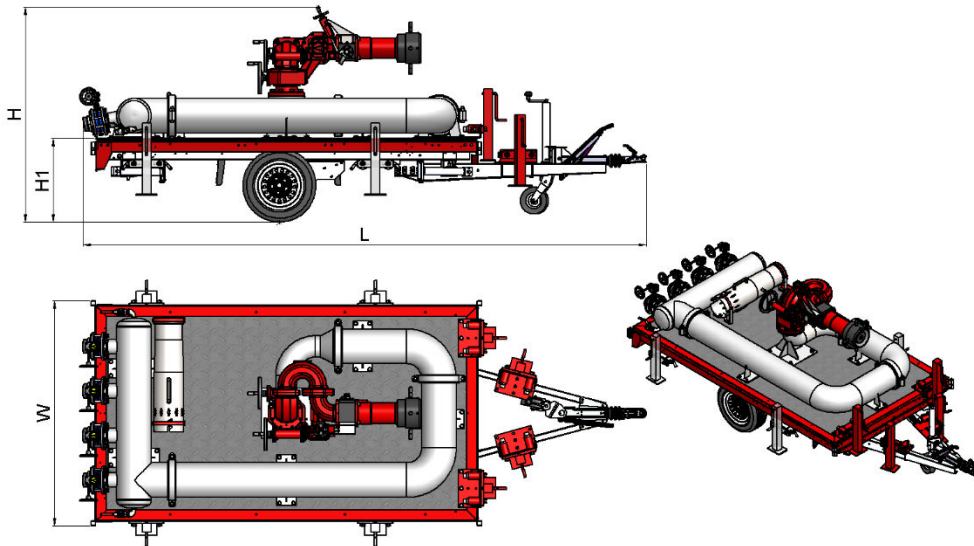
Type	FT8	FT12	FT20	FT24
Max. water flow rate	8000 l/min	12 000 l/min	20 000 l/min	24 000 l/min
Adjusting range of water flow rate	2000 - 8000 l/min	3000 - 12000 l/min	5000 – 20000 l/min	8000 – 24000 l/min
Max. operating pressure	16 bar			
Horizontal swiveling range	360° (without limitation)			
Vertical swiveling range	+30° / +90°			
Hose connection / water supply	2 x Storz 150 couplings, individual shut-off possible with a shut-off valve	4 x Storz 150 couplings, individual shut-off possible with a shut-off valve	2 x 12" Multilug 12" couplings, individual shut-off possible with a shut-off valve. Optionally: 5 x Storz 150 couplings, individual shut-off possible with a shut-off valve.	
Drawbar	V-drawbar with ball head coupling		Height-adjustable with ball head coupling or towing eye	
Working platform	3010 x 1700 mm		3120 x 1820 mm	
Permitted total weight	1500 kg		2500 kg	

■ 2. MATERIALS.

Monitor	See separate data sheet Monitor
Pipework	Galvanized steel
Chassis	Galvanized steel



■ 3. EXAMPLE FIGURE / DIMENSIONS.



Type	FT8	FT12	FT20	FT24
Length L	ca. 4500 mm		ca. 5000 mm	
Width W	ca. 1820 mm		ca. 1950 mm	
Height H	ca. 1600 mm	ca. 1700 mm	ca. 1700 mm	
Height of platform in driving mode H1	ca. 350 mm		ca. 400 mm	

■ 4. MANUFACTURER.

FireDos GmbH, Auf der Kaulbahn 6, 61200 Woelfersheim, Germany
 Phone +49 (0) 6036 9796-0, Email: info@firedos.de

We reserve the right to make modifications at any time.