

■ DATA SHEET FIRE TRAILER FT3

FIRE TRAILER WITH MONITOR M3, PROPORTIONER FD3000 AND IBC

■ 1. TECHNICAL DATA.

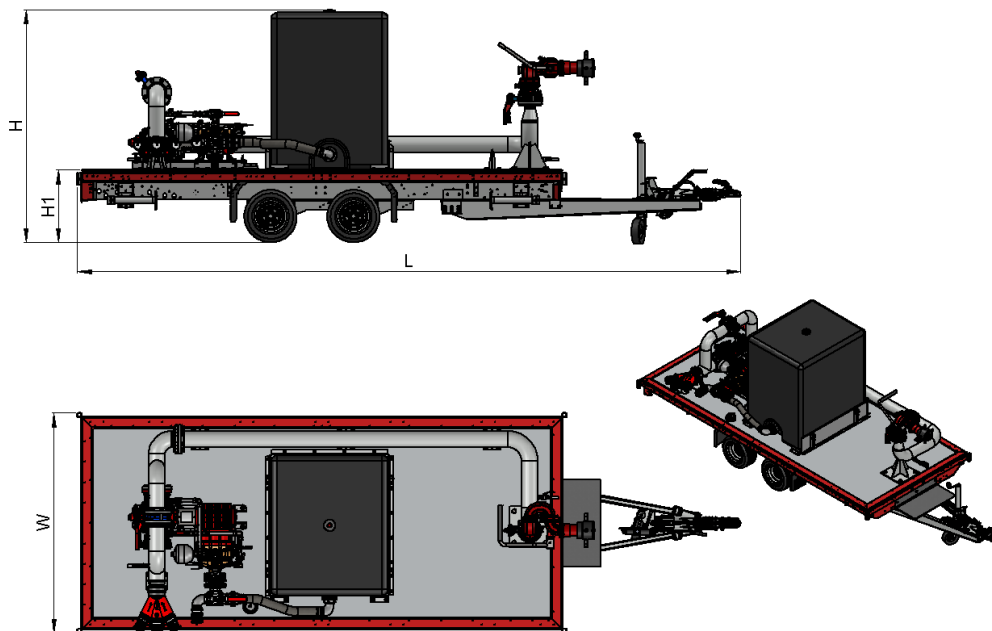
TypE	FT3
Max. water flow rate	3.000 l/min
Max. operating pressure	16 bar
Horizontal swiveling range	360° (without limitation)
Vertical swiveling range	+15° / +90°
Hose connection / water inlet	3 x Storz Type-75-B-DS couplings, connected to collector with jack valve. Optional: other couplings on request.
IBC	1000 Liter
Drawbar	V-drawbar with ball head coupling
Working platform	4.120 x 1.820 mm
Permitted total weight	3.000 kg

■ 2. MATERIALS.

Monitor	See separate data sheet Monitor
Proportioner	See separate data sheet Proportioner
Pipework	Galvanized steel
Chassis	Galvanized steel
IBC	Tank Polyethylen Palette galvanized steel



■ 3. EXAMPLE FIGURE / DIMENSIONS.



Type	FT3
Length L	ca. 5.700 mm
Width W	ca. 1.890 mm
Height H	ca. 1.990 mm
Height of platform in driving mode H1	ca. 625 mm

■ 4. MANUFACTURER.

FireDos GmbH, Auf der Kaulbahn 6, 61200 Woelfersheim, Deutschland
 Telefon +49 (0) 6036 9796-0, E-Mail: info@firedos.de

We reserve the right to make modifications at any time.