

■ DATA SHEET FIRE TRAILER FT20 / FT25 FIRE TRAILER WITH PROPORTIONER.

■ 1. TECHNICAL DATA.

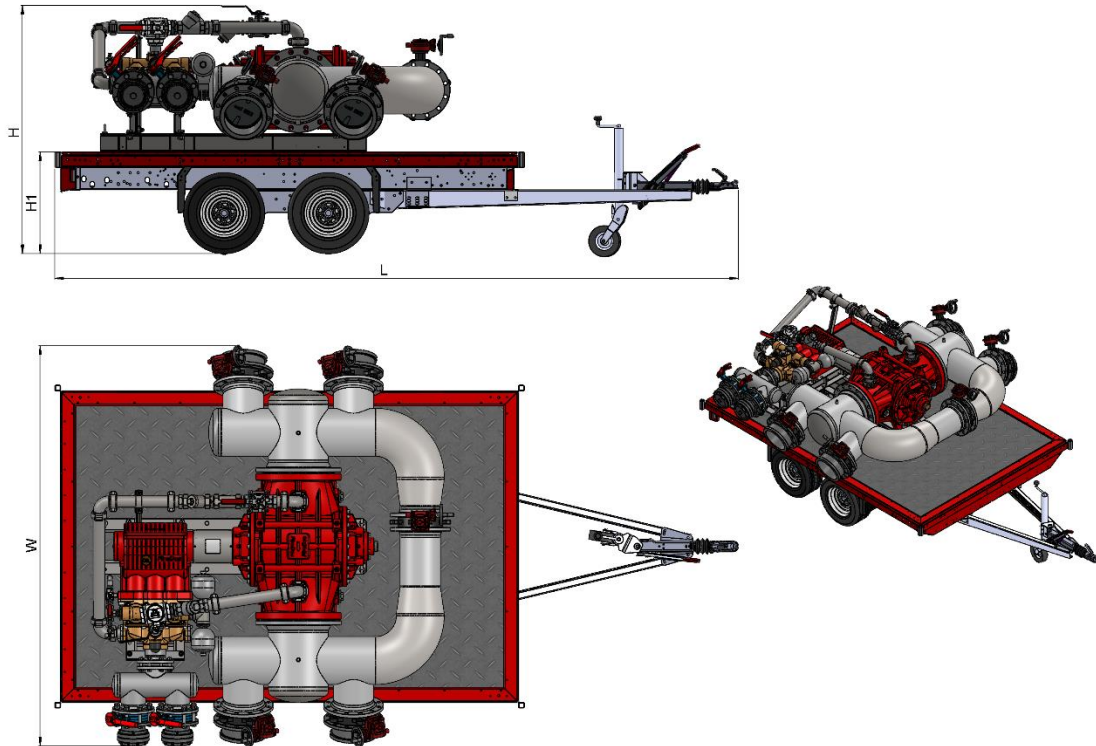
Type	FT20	FT25
Max. water flow rate	20 000 l/min	25 000 l/min
Max. operating pressure	16 bar	
Hose connection / water inlet	2x 12" Multilug couplings, individual shut-off possible with a shut-off valve	
Hose connection / Extinguishing water line	2x 12" Multilug couplings, individual shut-off possible with a shut-off valve	
Hose connection / suction line	2 x Storz couplings type 100	
Drawbar	Height-adjustable with ball head coupling or towing eye	
Working platform	3120 x 2120 mm	
Permitted total weight	3500 kg	

■ 2. MATERIALS.

Proportioner	See separate data sheet Proportioner
Pipework	Galvanized steel
Chassis	Galvanized steel



■ 3. EXAMPLE FIGURE / DIMENSIONS.



Type	FT20	FT25
Length L	ca. 5000 mm	
Width W	ca. 2800 mm	
Height H	ca. 1500 mm	
Height of platform in driving mode H1	ca. 350 mm	

■ 4. MANUFACTURER.

FireDos GmbH, Auf der Kaulbahn 6, 61200 Woelfersheim, Germany
 Phone +49 (0) 6036 9796-0, Email: info@firedos.de

We reserve the right to make modifications at any time.