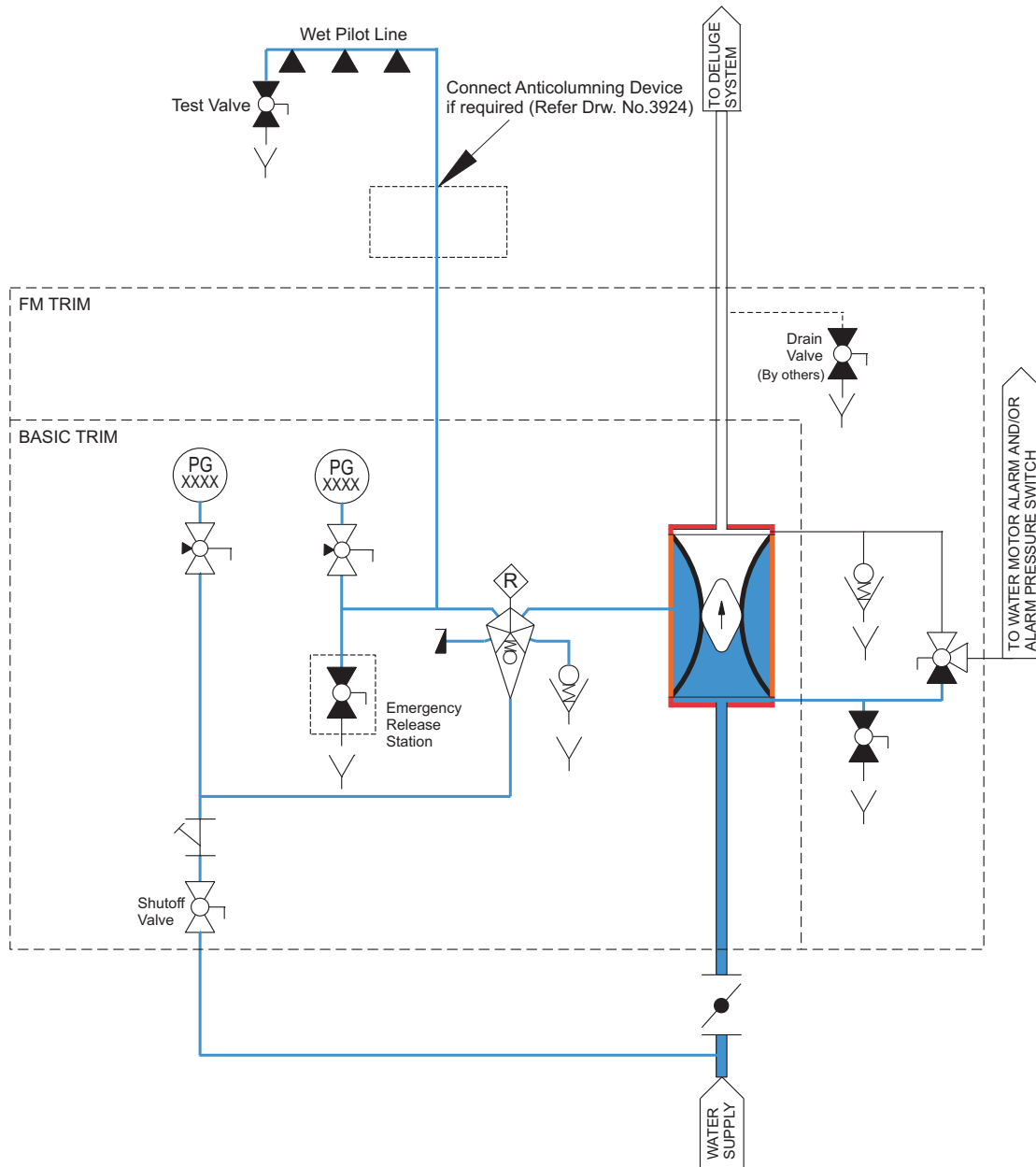


# Series 700D-04A01

## Piping & Instrumentation Diagram



Inbal Deluge Valve, Hydraulic Actuation, Local Resetting, Standard Material Control Trim



Inbal Automatic Water Control Valve (series 700D)



Pressure Gauge (series 131)



Pressure Gauge Valve (series 353)

Fusible Sprinkler



Y-Strainer (series 31)



Ball Valve, 2-Way, N.O. (series 351)



Alarm Test Valve, 3-Way (series 347-08)



Drain System



Automatic Drain Valve (model 373-08)



Plug



Water Supply Valve



Ball Valve, 2-Way, N.C. (series 351)



Flow Release Pilot (model 375-08)

Water Line