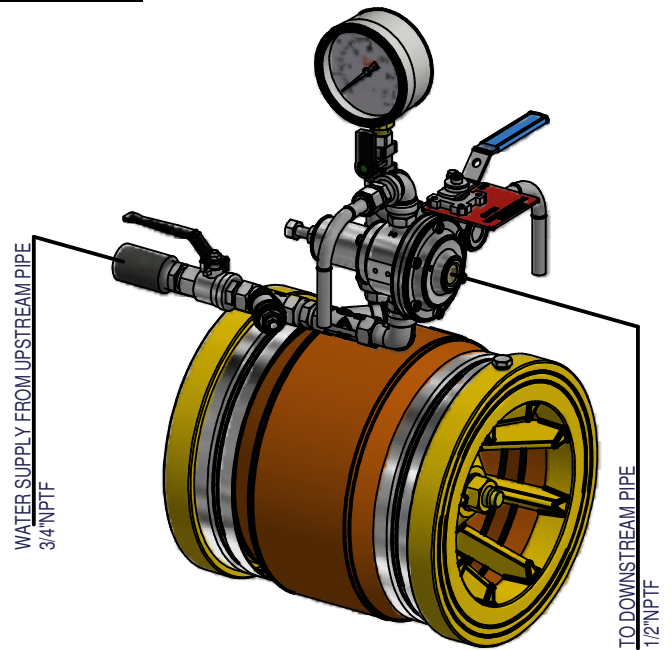
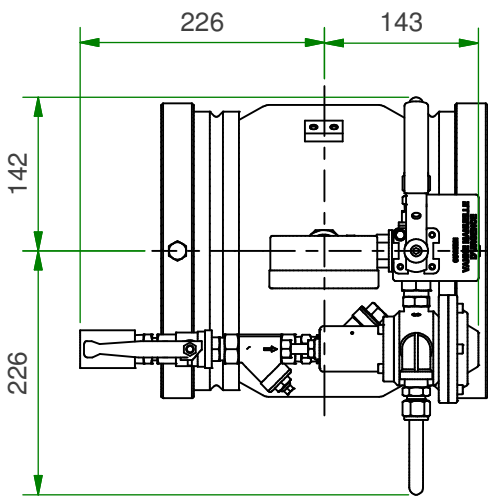
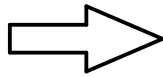


SIZE	L	D
3" (DN80)	157	130
4" (DN100)	186	157
6" (DN150)	238	218
8" (DN200)	302	273
10" (DN250)	350	324
12" (DN300)	443	381



SIZE: 3"-12" (DN80-300)
Horizontal installation

ITEM	DESCRIPTION	GR.DIMENSIONS	QTY	PATTERN	MOULD	NOTES
------	-------------	---------------	-----	---------	-------	-------

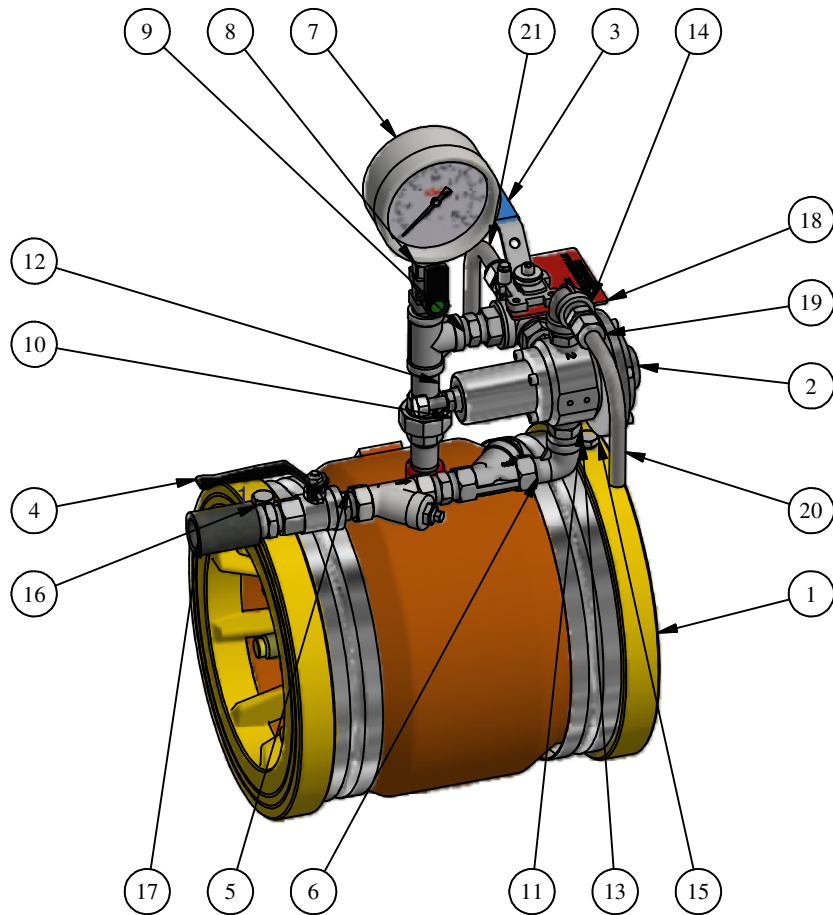


The drawing and/or data disclosed herein or herewith contain information that is confidential and proprietary to INBAL. This information shall not, in whole or in part, be reproduced, duplicated, copied, disclosed or used for any purpose without the prior written consent of INBAL. All authorised reproduction shall bear these notes.

NAME		SIGN		DATE		DIM TOLERANCE		ANGLE TOLERANCE		SUBJECT		MODEL:	
DRAWN	V.G.			10/07/2019		±15		±1		Inbal Valve Overflow protection valve	799D-		
DESIGN	V.G.			10/07/2019		DRAWING No'	REV.	SCALE:			01HMP-		
CHECK						Q3983-1	00	NONE			Q3983		
APPROV						PAGE 1 OF 2		F.D:10/07/2019			A4		

Z:\QUOT\Q3983 (01HMP)\Q3983-1.iam

PD96-01



Parts List

ITEM	DESCRIPTION	PART NUMBER	QTY	MATERIAL	COMMENTS
1	Inbal Valve	799D-8	1	Ductile Iron/Carbon steel	
2	Hydraulic Actuator	288-08	1	Brass	Spring range 1-8 bar
3	3-Way Ball Valve, L-port 347-08-10	347-08-10AA	1	St.St.304	
4	2-Way Ball Valve 1/2"	351-08-02	1	Brass Ni-Cr plated	
5	Strainer model 31-08-01 (304)	31-08-10 (304)	1	St.St.304	
6	Check Valve model 371-08-10	371-08-10	1	St.St.	
7	Pressure Gauge 1/4"NPT	131-41	1	Brass Connector	Glycerin Filled
8	Pressure Gauge Valve	353-08-01	1	Brass, Ni-Cr plated	1/2"Mx1/4"F
9	Tee 1/2"	Tee 12 SS	1	St.St.304	
10	Union 1/2" FxF	Union 12 SS	1	St.St.304	
11	Hex. Nipple 1/2"	Nipple 12 hex SS	5	St.St.304	
12	Nipple 1/2"x2"	Nipple 12x2 SS	2	St.St.304	
13	Street Elbow 1/2"x90°	Elbow 12MxF SS	1	St.St.304	
14	Elbow 1/2"x90°	Elbow 12FxF SS	1	St.St.304	
15	Plug 1/4"	Plug 14 SS	2	St.St.304	
16	Reducing Nipple 3/4"NPTx1/2"NPT	Nipple 12x34 SS	1	St.St.304	
17	Threaded Coupling 3/4"NPT		1	St.St.304	
18	Label	5420-2-FR or DE or EN	1	PVC	
19	Drain Fitting 1/2"NPTxOD1/2"	Drain Fitting TF 12NPTxOD12	2	Brass, Ni-Cr plated	
20	Tubing OD1/2"	Run01	1	St.St.316	
21	Tubing OD1/2"	Run02	1	St.St.316	

SIZE: 3"-12" (DN80-300)
Horizontal installation

ITEM	DESCRIPTION	GR.DIMENSIONS	QTY	PATTERN	MOULD	NOTES
------	-------------	---------------	-----	---------	-------	-------



The drawing and/or data disclosed herein or herewith contain information that is confidential and proprietary to INBAL. This information shall not, in whole or in part, be reproduced, duplicated, copied, disclosed or used for any purpose without the prior written consent of INBAL. All authorised reproduction shall bear these notes.

	NAME	SIGN	DATE	DIM TOLERANCE	ANGLE TOLERANCE	SUBJECT	MODEL:	
DRAWN	V.G.		10/07/2019	±15	±1	Inbal Valve Overflow protection valve	799D-	
DESIGN	V.G.		10/07/2019	DRAWING No'	REV.		SCALE:	01HMP-
CHECK				Q3983-1	00		NONE	Q3983
APPROV				PAGE 2 OF 2	F.D10/07/2019			A4