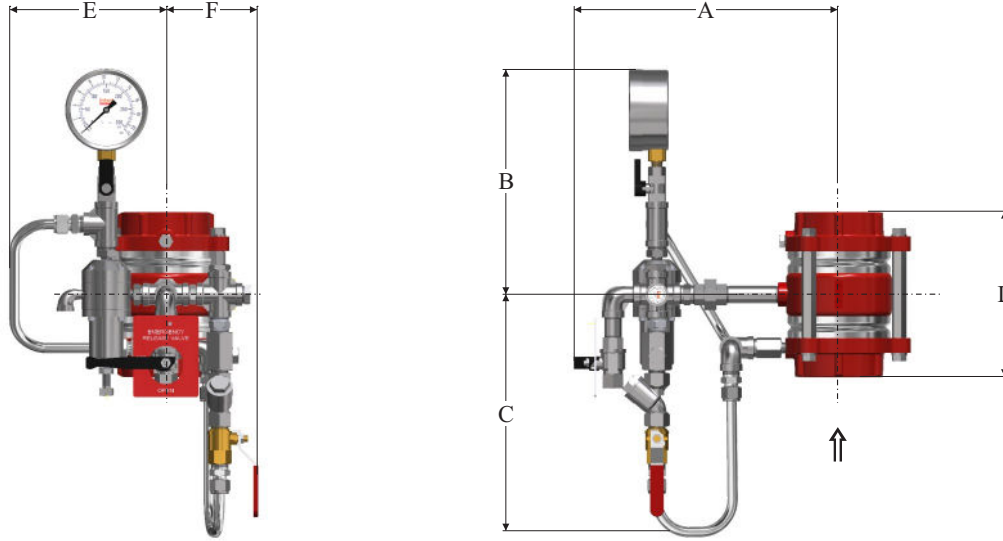


Model 711D-01S03

Overall Dimensions & Weights - Vertical Installation



Inbal Pressure Relief / Sustaining Valve, Standard Material Control Trim



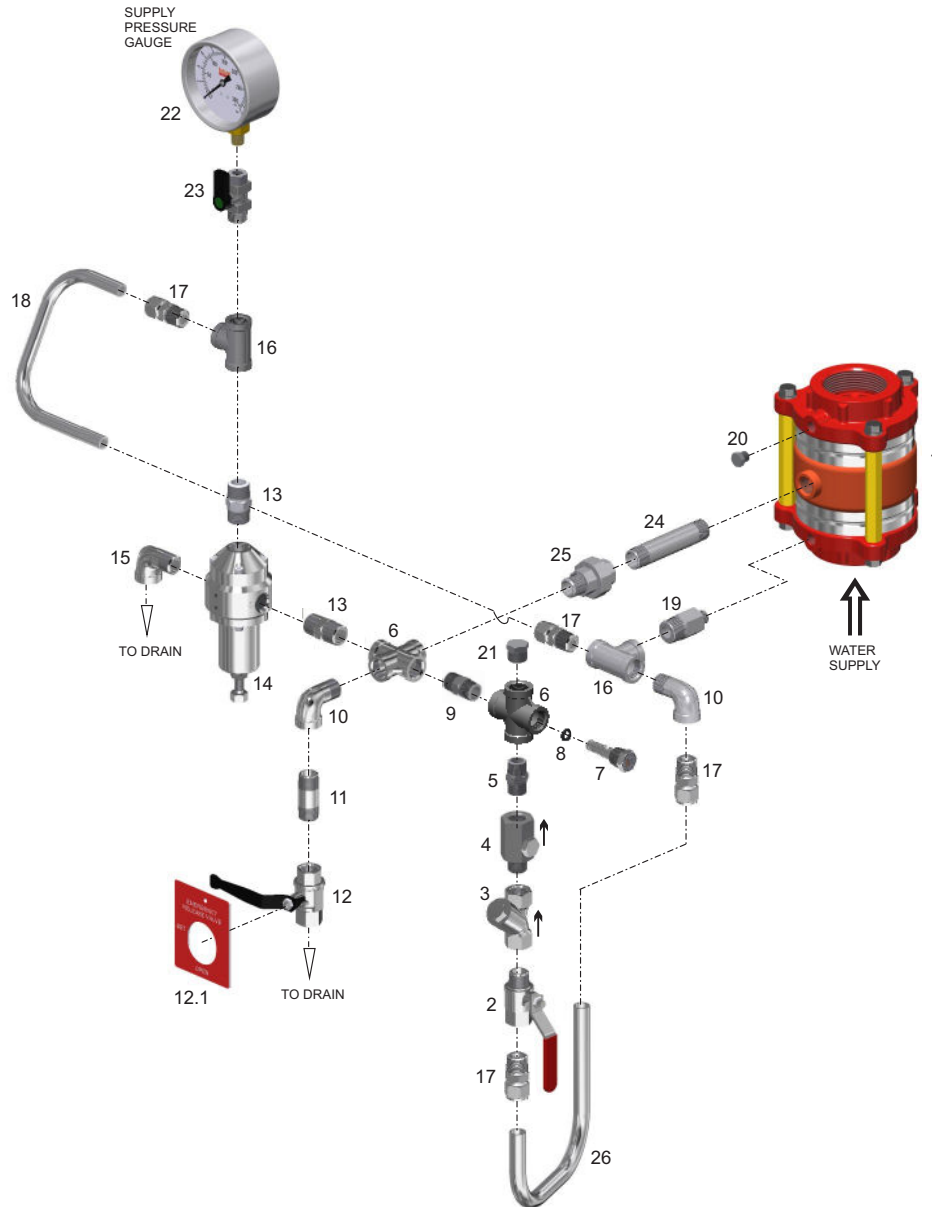
SIZE inches / mm	A	B	C	E	F	L	Weight* lbs / kg
1 ½	13	11	13	7 ⅞	4 ½	7 ½	35.0 lbs
40	330	280	300	200	115	192	16.0 kg
2	13	11	13	7 ⅞	4 ½	7 ½	35.0 lbs
50	330	280	300	200	115	192	16.0 kg
2 ½	13	11	13	7 ⅞	4 ½	8	39.0 lbs
65	330	280	300	205	115	203	18.0 kg
3	13	11	13	7 ⅞	4 ½	8	41.5 lbs
80	330	280	300	205	115	203	19.0 kg

* Refer to Standard Material Valve.

Model 711D-01S03

Trim Chart - Vertical Installation

Inbal Pressure Relief / Sustaining Valve, Standard Material Control Trim



- The bill of materials is available in the next page.
- The control trim is supplied fully preassembled.

- When the control trim is ordered in loose components form, the **Inbal** Preaction Valve must be trimmed as shown. Any deviation may affect proper operation.

Model 711D-01S03

Trim Chart - Vertical Installation



Inbal Pressure Relief / Sustaining Valve, Standard Material Control Trim

Item	Description	Qty	Material	Cat. No.
1	Inbal Automatic Water Control Valve model 711D	1	See bulletin F02-01	1711D01DDSSSS
2	2-Way Ball Valve 1/2", series 351, (MxF)	1	See bulletin F40-08	235102008000
3	Y-Pattern Strainer 1/2", series 31	1	See bulletin F40-03	231006008001
4	Check Valve 1/2", series 371	1	See bulletin F40-12	137102008000
5	Hex. Nipple 1/2"	1	St.St.304	212206008001
6	Cross 1/2"	2	St.St.304	211106008001
7	Restriction Orifice model 12-07-02	1	Brass, Ni-Cr plated	212702008001
8	O-Ring 2-109	1	Buna-N	270621090000
9	Orifice Housing	1	Brass, Ni-Cr plated	322002036000
10	Street Elbow 1/2"	2	St.St.304	211606008001
11	Nipple 1/2", L=2" (50 mm)	1	St.St.304	212206003000
12	2-Way Ball Valve 1/2", series 351, (FxF)	1	See bulletin F40-08	235102008004
12.1	Label	1	P.V.C.	293108030000
13	Red. Nipple 1/2" x 1/4"	2	St.St.304	212206020000
14	Pressure Sustaining Pilot Valve model PA2	1	See bulletin F36-03	1PA202001000
15	Street Elbow 1/4"	1	St.St.304	211606004001
16	Tee 1/2"	2	St.St.304	210106008001
17	Twin Ferrules Fitting 1/2"NPT x 1/2"OD	4	Brass, Ni-Cr plated	318902007000
18	Pressure Sensing Tube 1/2"OD	1	St.St.316	994006008000
19	Red. Nipple 1/2" x 1/4", L=2" (51 mm)	1	St.St.304	212306012001
20	Plug 1/4"	1	St.St.304	212106004000
21	Plug 1/2"	1	St.St.304	212106008000
22	Pressure Gauge 131-41-1	1	See bulletin F40-15	213106041002
23	Pressure Gauge valve series 353	1	See bulletin F40-09	235302008001
24	Nipple 1/2", L=4" (102 mm)	1	St.St.304	212206018001
25	Union 1/2" M x F	1	St.St.304	210406008006
26	Water Supply Tube 1/2" OD	1	St.St.316	994006008000