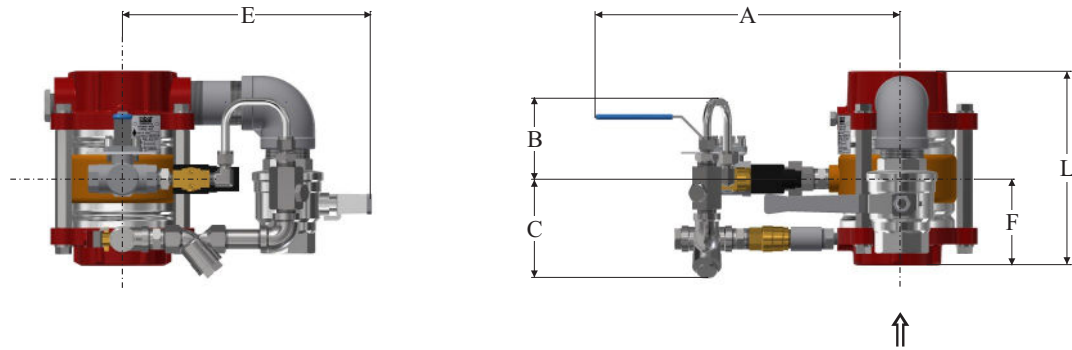


Model 711DX-02HME01/2

Overall Dimensions & Weights - Vertical Installation



Inbal Control Valve, Electric Actuation, Standard Material Control Trim



SIZE inches / mm	A	B	C	E	F	L	Weight* lbs / kg
1 ½	13	3 ½	4 ¾	8 ¼	3 ¾	7 ½	26.0 lbs 12.0 kg
40	330	90	110	210	95	192	26.0 lbs 12.0 kg
2	13	3 ½	4 ¾	8 ¼	3 ¾	7 ½	26.0 lbs 12.0 kg
50	330	90	110	210	95	192	26.0 lbs 12.0 kg
2 ½	13	3 ½	4 ¾	10 ⅝	3 ¾	8 ¾	35.0 lbs 16.0 kg
65	330	90	110	270	95	212	35.0 lbs 16.0 kg
3	13	3 ½	4 ¾	10 ⅝	4	8 ¾	32.5 lbs 15.0 kg
80	330	90	110	270	100	219	32.5 lbs 15.0 kg

* Refer to Standard Material Valve.

- The bill of materials is available in the next page.
- The control trim is supplied fully preassembled.
- When the control trim is ordered in loose components form, the **Inbal** Remote Control Valve must be trimmed as shown. Any deviation may affect proper operation.

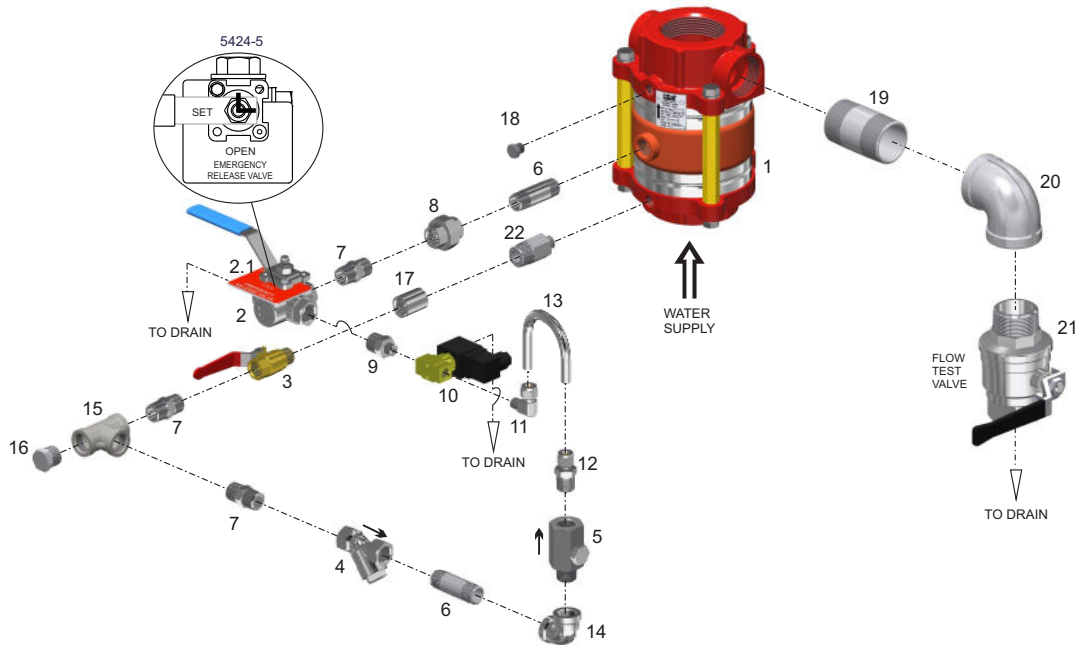
Model 711DX-02HME01/2

Trim Chart - Vertical Installation

Sizes 1½" - 3" (80 - 100 mm)



Inbal Control Valve, Electric Actuation, Standard Material Control Trim



* 711D-02HME01-with SV series 151
711D-02HME02-with SV series 152

Item	Description	Qty	Material	Cat. No.
1	Inbal Automatic Water Control Valve model 711DX	1	See bulletin F02-03	1711DX01DDSSSS
2	Emergency Release Valve model 347-08-02	1	See bulletin F40-06	234706008000
2.1	Label	1	P.V.C.	293108010005
3	2-Way Ball Valve ½", series 351	1	See bulletin F40-08	235102008000
4	Y-Pattern Strainer ½", series 31	1	See bulletin F40-03	231006008001
5	Check Valve ½", series 371, MxF	1	See bulletin F40-12	137102008000
6	Nipple ½", L=2½" (63 mm)	2	St.St.304	212206016001
7	Hex. Nipple ½"	3	St.St.304	212206008001
8	Union ½" F x F	1	St.St.304	210406008000
9	Red. Nipple ½" x ¼"	1	St.St.304	212206020000
10	Solenoid Valve series 151/2*	1		
11	Twin Ferrules Fitting Elbow ¼" NPT x ⅜" OD	1	Brass, Ni-Cr plated	
12	Twin Ferrules Fitting ½" NPT x ⅜" OD	1	Brass, Ni-Cr plated	318902008000
13	Water Supply Tube ⅜" OD	1	St.St.316	
14	Elbow ½"	1	St.St.304	210006008001
15	Tee ½"	1	St.St.304	210106008001
16	Plug ½"	1	St.St.304	212106008000
17	Coupling ½"	1	St.St.304	210306008001
18	Plug ¼"	1	St.St.304	212106004000
19 (b)	Nipple ¾", L=3¼" (83 mm)	2	St.St.304	212206010001
(c)	Nipple 1½", L=3¼" (83 mm)	2	St.St.304	212206001000
20 (b)	Elbow ¾"	2	See note (a)	210006012001
(c)	Elbow 1½"	2	See note (a)	210006024001
21 (b)	2-Way Ball Valve ¾", series 351	2	See bulletin F40-08	235102020000
(c)	2-Way Ball Valve 1½", series 351	2	See bulletin F40-08	235102040000
22	Red. Nipple ½" x ¼", L=2" (51 mm)	1	St.St.304	212306012001

Notes: (a) Brass, Ni-Cr plated or Stainless Steel AISI 304.
(b) For 1½" & 2" (40 & 50 mm) Inbal Valves.

(c) For 2½" & 3" (65 & 80 mm) Inbal Valves.

Model 711DX-02HME01/2



Trim Chart - Vertical Installation

Sizes 1 1/2" - 3" (80 - 100 mm)

v a l v e s

Inbal Control Valve, Electric Actuation, Standard Material Control Trim

Item	Description	Qty	Material	Cat. No.
1	Inbal Automatic Water Control Valve model 711DX	1	See bulletin F02-03	1711DX01DDSSSS
2	Emergency Release Valve model 347-08-02	1	See bulletin F40-06	234706008000
2.1	Label	1	P.V.C.	293108010005
3	2-Way Ball Valve 1/2", series 351	1	See bulletin F40-08	235102008000
4	Y-Pattern Strainer 1/2", series 31	1	See bulletin F40-03	231006008001
5	Check Valve 1/2", series 371, MxF	1	See bulletin F40-12	137102008000
6	Nipple 1/2", L=2 1/2" (63 mm)	2	St.St.304	212206016001
7	Hex. Nipple 1/2"	3	St.St.304	212206008001
8	Union 1/2" F x F	1	St.St.304	210406008000
9	Red. Nipple 1/2" x 1/4"	1	St.St.304	212206020000
10	Solenoid Valve series 151/2	1		
11	Twin Ferrules Fitting Elbow 1/4" NPT x 3/8" OD	1	Brass, Ni-Cr plated	
12	Twin Ferrules Fitting 1/2" NPT x 3/8" OD	1	Brass, Ni-Cr plated	318902008000
13	Water Supply Tube 3/8" OD	1	St.St.316	
14	Elbow 1/2"	1	St.St.304	210006008001
15	Tee 1/2"	1	St.St.304	210106008001
16	Plug 1/2"	1	St.St.304	212106008000
17	Coupling 1/2"	1	St.St.304	210306008001
18	Plug 1/4"	1	St.St.304	212106004000
19 (c)	Nipple 1 1/2", L=3 1/4" (83 mm)	1	St.St.304	212206001000
(d)	Nipple 2", L=3 1/4" (83 mm)	1	St.St.304	212206009001
20 (c)	Elbow 1 1/2"	1	See note (b)	210006024001
(d)	Elbow 2"	1	See note (b)	210006032001
21 (c)	2-Way Ball Valve 1 1/2", series 351	1	See bulletin F40-08	235102040000
(d)	2-Way Ball Valve 2", series 351	1	See bulletin F40-08	235102050000
22	Red. Nipple 1/2" x 1/4", L=2" (51 mm)	1	St.St.304	212306012001

Notes: (a) Supplied when ordering an installation kit. Quantity and thread standard for Stud Bolts and Nuts may vary, depending on Inbal Valve size and flange standard.
(b) Brass, Ni-Cr plated or Stainless Steel AISI 304.

(c) For 3" (80 mm) Inbal Valves.
(d) For 4" (100 mm) Inbal Valves.