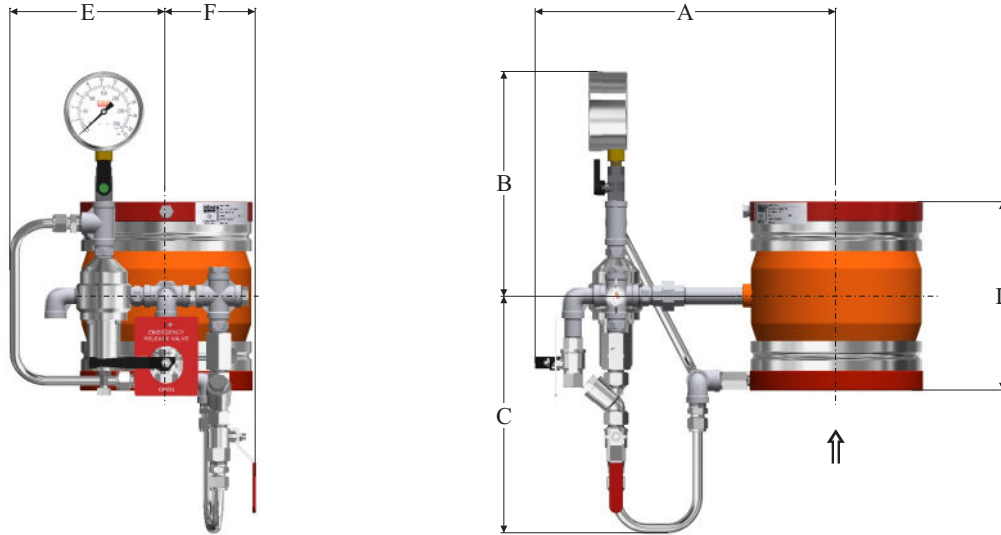


# Model 799D-01S03

## Overall Dimensions & Weights - Vertical Installation



Inbal Pressure Relief / Sustaining Valve, Standard Material Control Trim



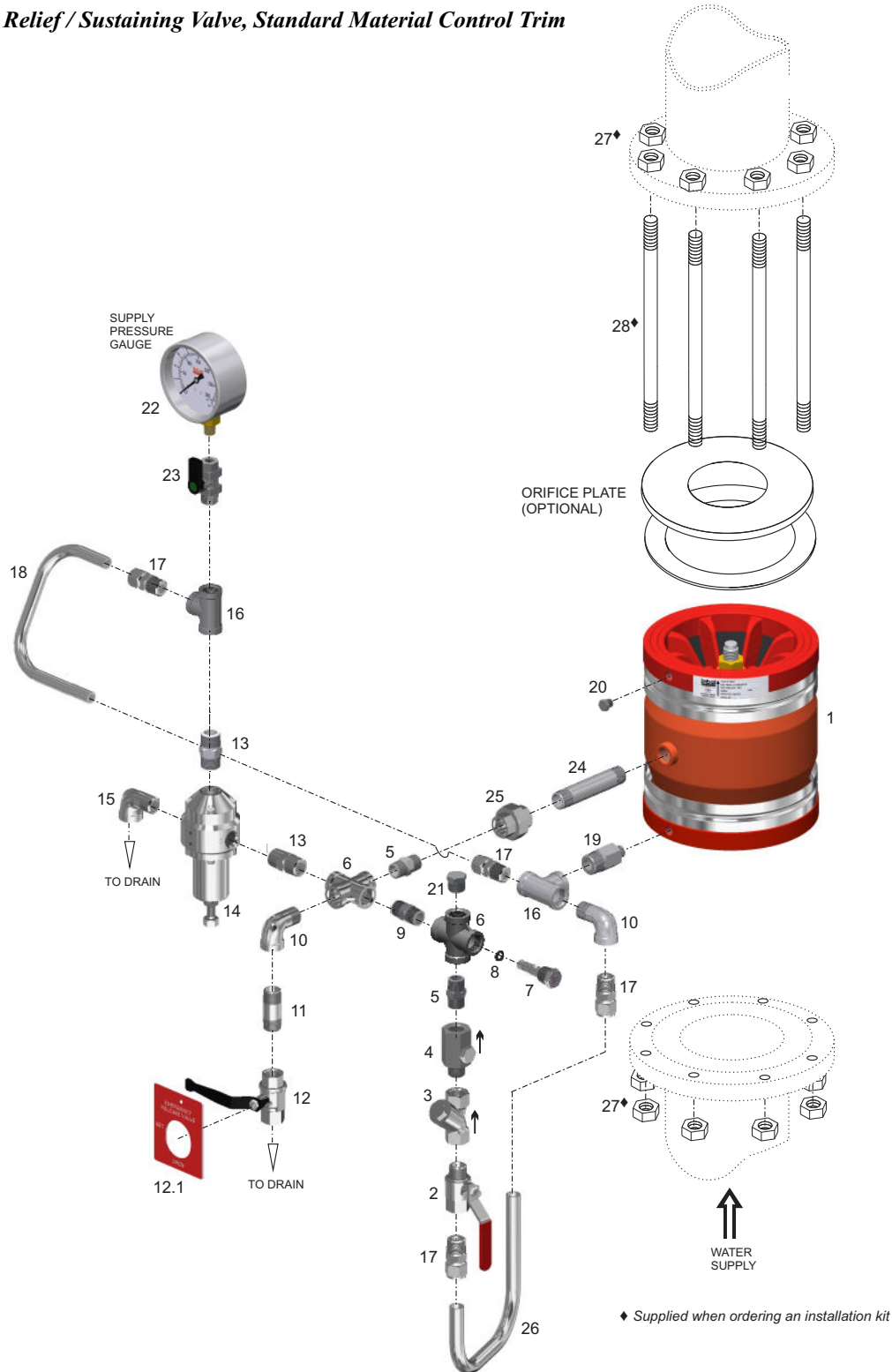
SIZE inches / mm	A	B	C	E	F	L	Weight* lbs / kg
3	13 ⅞	11 ½	12	7 ⅞	4 ½	6 ¼	30.5 lbs 14.0 kg
80	335	290	305	200	115	157	14.0 kg
4	13 ¾	11 ½	12	7 ⅞	4 ½	7 ⅞	41.5 lbs 19.0 kg
100	348	290	305	200	115	186	19.0 kg
6	14 ⅞	11 ½	12	7 ⅞	4 ½	9 ⅞	74.0 lbs 34.0 kg
150	378	290	305	200	115	238	34.0 kg
8	16	11 ½	12	7 ⅞	4 ½	11 ⅞	107.0 lbs 49.0 kg
200	407	290	305	200	115	302	49.0 kg
10	17	11 ½	12	7 ⅞	4 ½	13 ¾	168.0 lbs 77.0 kg
250	432	290	305	200	115	350	77.0 kg
12	17 ⅞	11 ½	12	7 ⅞	4 ½	17 ½	240.0 lbs 110.0 kg
300	448	290	305	200	115	443	110.0 kg

\* Refer to Standard Material Valve.

# Model 799D-01S03

## Trim Chart - Vertical Installation

*Inbal Pressure Relief / Sustaining Valve, Standard Material Control Trim*



- The bill of materials is available in the next page.
- The control trim is supplied fully preassembled.

- When the control trim is ordered in loose components form, the **Inbal** Preaction Valve must be trimmed as shown. Any deviation may affect proper operation.

# Model 799D-01S03

## Trim Chart - Vertical Installation



### Inbal Pressure Relief / Sustaining Valve, Standard Material Control Trim

Item	Description	Qty	Material	Cat. No.
1	Inbal Automatic Water Control Valve model 799D	1	See bulletin F02-01	1799D01DDSSSS
2	2-Way Ball Valve 1/2", series 351, (MxF)	1	See bulletin F40-08	235102008000
3	Y-Pattern Strainer 1/2", series 31	1	See bulletin F40-03	231006008001
4	Check Valve 1/2", series 371	1	See bulletin F40-12	137102008000
5	Hex. Nipple 1/2"	2	St.St.304	212206008001
6	Cross 1/2"	2	St.St.304	211106008001
7 (b)	Restriction Orifice model 12-07-01	1	Brass, Ni-Cr plated	212702008000
(c)	Restriction Orifice model 12-07-02	1	Brass, Ni-Cr plated	212702008001
8	O-Ring 2-109	1	Buna-N	270621090000
9	Orifice Housing	1	Brass, Ni-Cr plated	322002036000
10	Street Elbow 1/2"	2	St.St.304	211606008001
11	Nipple 1/2", L=2" (50 mm)	1	St.St.304	212206003000
12	2-Way Ball Valve 1/2", series 351, (FxF)	1	See bulletin F40-08	235102008004
12.1	Label	1	P.V.C.	293108030000
13 (b)	Red. Nipple 1/2" x 1/4"	2	St.St.304	212206020000
(c)	Hex. Nipple 1/2"	2	St.St.304	212206008001
14 (b)	Pressure Sustaining Pilot Valve model PA2	1	See bulletin F36-03	1PA202001000
(c)	Pressure Sustaining Pilot Valve model PB2	1	See bulletin F36-03	1PB202001000
15 (b)	Street Elbow 1/4"	1	St.St.304	211606004001
(c)	Street Elbow 1/2"	1	St.St.304	211606008001
16	Tee 1/2"	2	St.St.304	210106008001
17	Twin Ferrules Fitting 1/2"NPT x 1/2"OD	4	Brass, Ni-Cr plated	318902007000
18	Pressure Sensing Tube 1/2"OD	1	St.St.316	994006008000
19 (d)	Red. Nipple 1/2" x 1/4", L=2" (51 mm)	1	St.St.304	212306012001
(e)	Red. Nipple 1/2" x 1/4", L=2.75" (70 mm)	1	St.St.304	
20	Plug 1/4"	1	St.St.304	212106004000
21	Plug 1/2"	1	St.St.304	212106008000
22	Pressure Gauge 131-41-1	1	See bulletin F40-15	213106041002
23	Pressure Gauge valve series 353	1	See bulletin F40-09	235302008001
24	Nipple 1/2", L=4" (102 mm)	1	St.St.304	212206018001
25	Union 1/2" F x F	1	St.St.304	210406008000
26	Water Supply Tube 1/2"OD	1	St.St.316	994006008000
27	Nut	(a)	Galvanized Steel	22420101DDDD
28	Stud Bolt	(a)	Galvanized Steel	226001RRRRRR

Notes: (a) Supplied when ordering an installation kit. Quantity and thread standard for Stud Bolts and Nuts may vary, depending on Inbal Valve size and flange standard.  
(b) For 3" & 4"; (80 & 100 mm) Inbal Valves

(c) For 6"; 8"; 10"; & 12" (150; 200; 250; & 300 mm) Inbal Valves  
(d) For 3"; 4" & 6" (80; 100 & 150 mm) Inbal Valves.  
(e) For 8"; 10" & 12" (200; 250 & 300 mm) Inbal Valves.