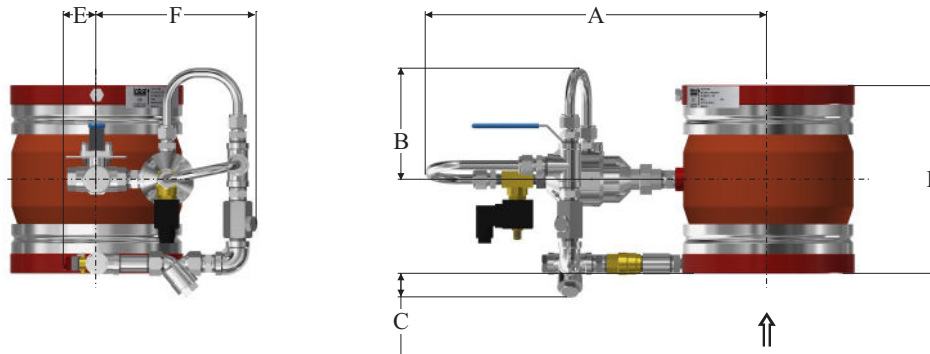


Model 799D-02HME11

Overall Dimensions & Weights - Vertical Installation



Inbal Control Valve, Electric Actuation, Standard Material Control Trim



SIZE inches / mm	A	B	C	E	F	L	Weight* lbs / kg
6	17 ³ / ₈	5 ³ / ₄	1 ⁵ / ₈	1 ³ / ₄	8	9 ³ / ₈	67.5 lbs
150	440	145	40	45	205	238	31.0 kg
8	18 ¹ / ₂	5 ³ / ₄	1 ⁵ / ₈	1 ³ / ₄	8	11 ⁷ / ₈	100.0 lbs
200	470	145	40	45	205	302	46.0 kg
10	19 ¹ / ₂	5 ³ / ₄	1 ⁵ / ₈	1 ³ / ₄	8	13 ³ / ₄	161.0 lbs
250	495	145	40	45	205	350	74.0 kg
12	20	5 ³ / ₄	1 ⁵ / ₈	1 ³ / ₄	8	17 ¹ / ₂	233.0 lbs
300	510	145	40	45	205	443	107.0 kg

* Refer to Standard Material Valve.

Model 799D-02HME11

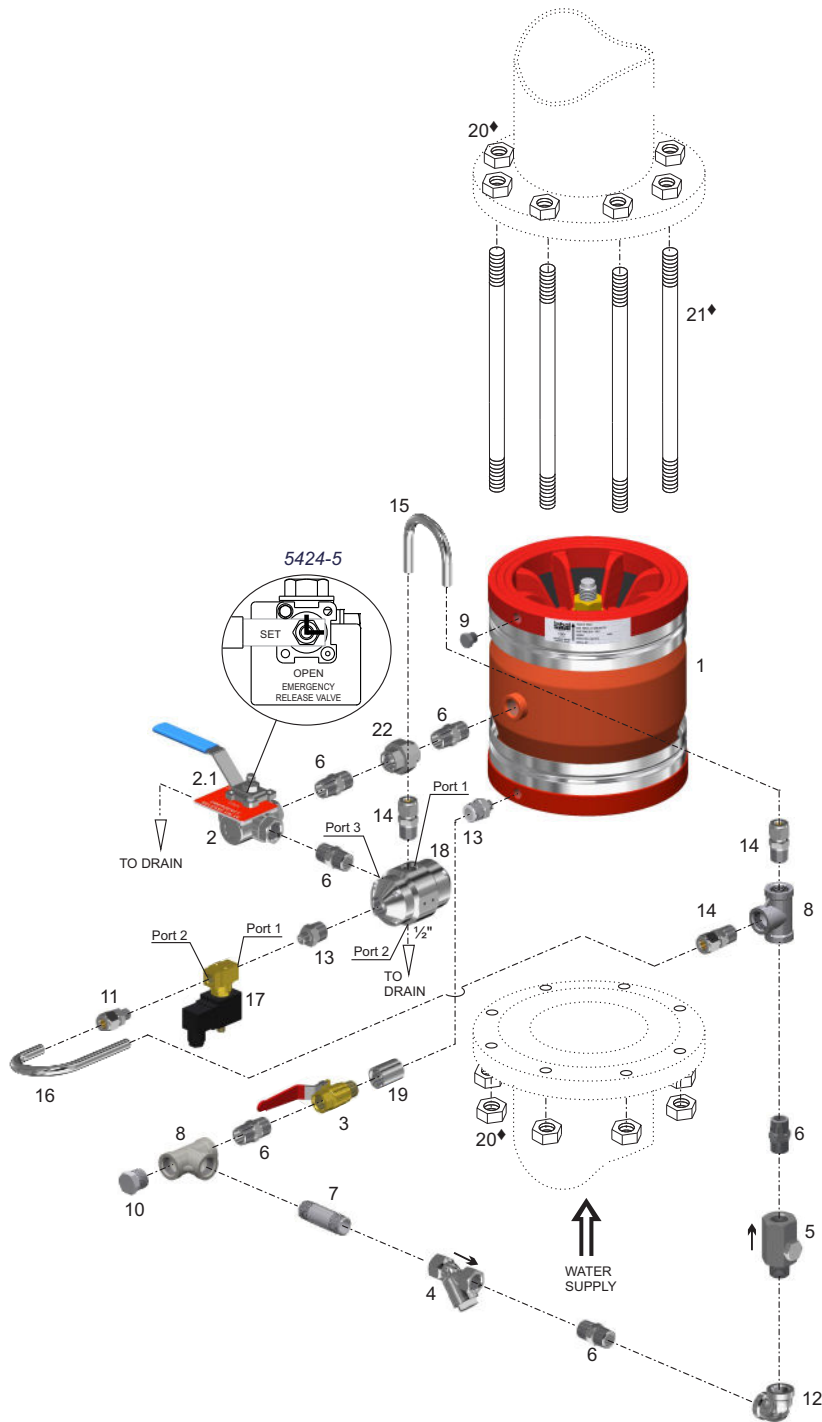
Trim Chart - Vertical Installation

Sizes 6" - 12" (150 - 300 mm)



v a l v e s

Inbal Control Valve, Electric Actuation, Standard Material Control Trim



◆ Supplied when ordering an installation kit

- The bill of materials is available in the next page.
- The control trim is supplied fully preassembled.

- When the control trim is ordered in loose components form, the **Inbal** Remote Control Valve must be trimmed as shown. Any deviation may affect proper operation.

Model 799D-02HME11

Trim Chart - Vertical Installation



Inbal Control Valve, Electric Actuation, Standard Material Control Trim

Item	Description	Qty	Material	Cat. No.
1	Inbal Automatic Water Control Valve model 799D	1	See bulletin F02-01	1799D01DDSSSS
2	Emergency Release Valve model 347-08-02	1	See bulletin F40-06	234706008000
2.1	Label	1	P.V.C.	
3	2-Way Ball Valve 1/2", series 351	1	See bulletin F40-08	235102008000
4	Y-Pattern Strainer 1/2", series 31	1	See bulletin F40-03	231006008001
5	Check Valve 1/2", series 371, MxF	1	See bulletin F40-12	137102008000
6	Hex. Nipple 1/2"	6	St.St.304	212206008001
7	Nipple 1/2", L=2 1/2" (63 mm)	1	St.St.304	212206016001
8	Tee 1/2"	2	St.St.304	210106008001
9	Plug 1/4"	1	St.St.304	212106004000
10	Plug 1/2"	1	St.St.304	212106008000
11	Twin Ferrules Fitting 1/4" NPT x 1/2" OD	1	Brass, Ni-Cr plated	318902009000
12	Elbow 1/2"	1	St.St.304	210006008001
13	Red. Nipple 1/2" x 1/4"	2	St.St.304	212206020000
14	Twin Ferrules Fitting 1/2" NPT x 1/2" OD	3	Brass, Ni-Cr plated	318902007000
15	Water Supply Tube 1/2" OD	1	St.St.316	994006008000
16	Water Supply Tube 1/2" OD	1	St.St.316	994006008000
17	Solenoid Valve series 152	1		
18	Hydraulic Actuator model 284-08	1	See bulletin F32-06	128402008000
19	Coupling 1/2"	1	St.St.304	210306008001
20	Nut	(a)	Galvanized Steel	22420101DDDD
21	Stud Bolt	(a)	Galvanized Steel	226001RRRRRR
22	Union 1/2" M x F	1	St.St.304	210406008006

Notes: (a) Supplied when ordering an installation kit. Quantity and thread standard for Stud Bolts and Nuts may vary, depending on Inbal Valve size and flange standard.