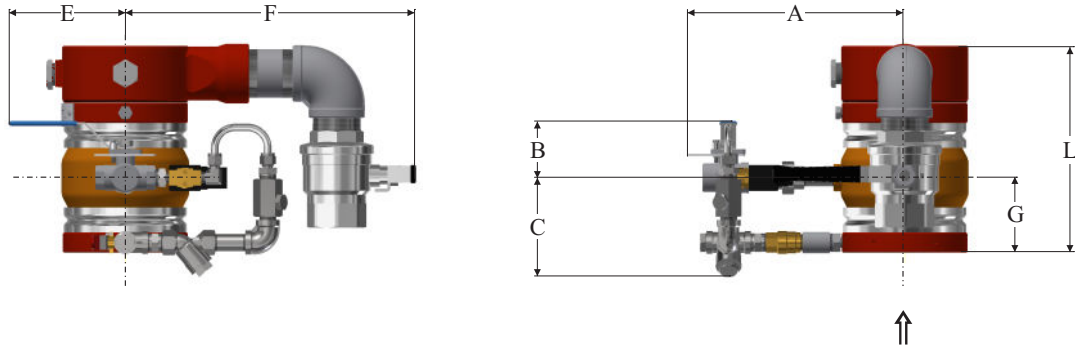


# Model 799DX-02HME01

## Overall Dimensions & Weights - Vertical Installation



*Inbal Control Valve, Electric Actuation, Standard Material Control Trim*



SIZE inches / mm	A	B	C	E	F	G	L	Weight* lbs / kg
3	10	2 ¾	4 ⅞	6	13 ⅛	3 ⅛	8 ⅞	22.0 lbs
80	255	70	123	150	335	80	207	10.0 kg
4	10 ⅝	2 ¾	4 ⅞	6	14 ⅜	3 ¾	10 ⅞	33.0 lbs
100	270	70	123	150	365	95	257	15.0 kg

\* Refer to Standard Material Valve.

- The bill of materials is available in the next page.
- The control trim is supplied fully preassembled.
- When the control trim is ordered in loose components form, the **Inbal** Remote Control Valve must be trimmed as shown. Any deviation may affect proper operation.

# Model 799DX-02HME01

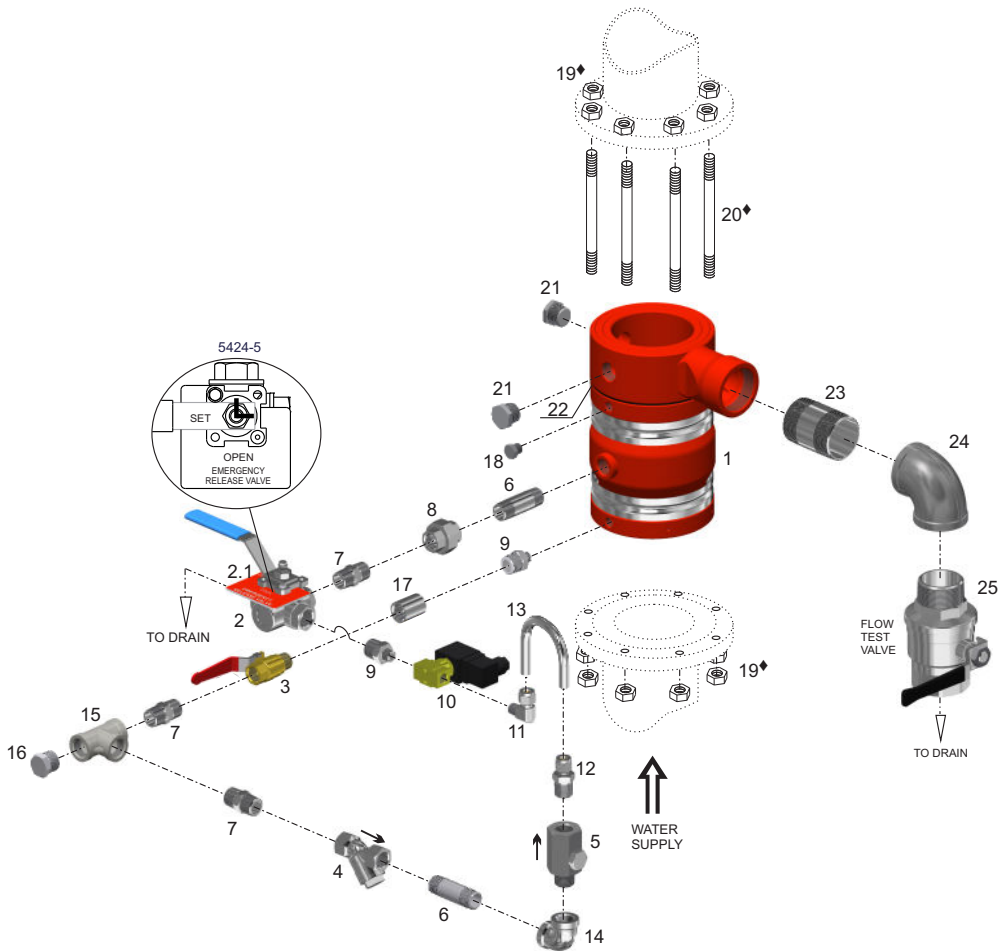
Trim Chart - Vertical Installation

Sizes 3" - 4" (80 - 100 mm)



v a l v e s

Inbal Control Valve, Electric Actuation, Standard Material Control Trim



◆ Supplied when ordering an installation kit

# Model 799DX-02HME01



## Trim Chart - Vertical Installation

Sizes 3" - 4" (80 - 100 mm)

v a l v e s

*Inbal Control Valve, Electric Actuation, Standard Material Control Trim*

Item	Description	Qty	Material	Cat. No.
1	Inbal Automatic Water Control Valve model 799DX	1	See bulletin F02-03	1799DX01DDSSSS
2	Emergency Release Valve model 347-08-02	1	See bulletin F40-06	234706008000
2.1	Label	1	P.V.C.	293108010005
3	2-Way Ball Valve 1/2", series 351	1	See bulletin F40-08	235102008000
4	Y-Pattern Strainer 1/2", series 31	1	See bulletin F40-03	231006008001
5	Check Valve 1/2", series 371, MxF	1	See bulletin F40-12	137102008000
6	Nipple 1/2", L=2 1/2" (63 mm)	2	St.St.304	212206016001
7	Hex. Nipple 1/2"	3	St.St.304	212206008001
8	Union 1/2" F x F	1	St.St.304	210406008000
9	Red. Nipple 1/2" x 1/4"	2	St.St.304	212206020000
10	Solenoid Valve series 151/2	1		
11	Twin Ferrules Fitting Elbow 1/4" NPT x 3/8" OD	1	Brass, Ni-Cr plated	
12	Twin Ferrules Fitting 1/2" NPT x 3/8" OD	1	Brass, Ni-Cr plated	318902008000
13	Water Supply Tube 3/8" OD	1	St.St.316	
14	Elbow 1/2"	1	St.St.304	210006008001
15	Tee 1/2"	1	St.St.304	210106008001
16	Plug 1/2"	1	St.St.304	212106008000
17	Coupling 1/2"	1	St.St.304	210306008001
18	Plug 1/4"	1	St.St.304	212106004000
19	Nut	(a)	Galvanized Steel	22420101DDDD
20	Stud Bolt	(a)	Galvanized Steel	226001RRRRRR
21	Plug 3/4"	2	See note (b)	212106012000
22	Gasket. Thickness: 1/16" (1.6 mm)	1	Fiber	270709DDDD000
23 (c)	Nipple 1 1/2", L=3 1/4" (83 mm)	1	St.St.304	212206001000
(d)	Nipple 2", L=3 1/4" (83 mm)	1	St.St.304	212206009001
24 (c)	Elbow 1 1/2"	1	See note (b)	210006024001
(d)	Elbow 2"	1	See note (b)	210006032001
25 (c)	2-Way Ball Valve 1 1/2", series 351	1	See bulletin F40-08	235102040000
(d)	2-Way Ball Valve 2", series 351	1	See bulletin F40-08	235102050000

Notes: (a) Supplied when ordering an installation kit. Quantity and thread standard for Stud Bolts and Nuts may vary, depending on Inbal Valve size and flange standard.  
(b) Brass, Ni-Cr plated or Stainless Steel AISI 304.

(c) For 3" (80 mm) Inbal Valves.  
(d) For 4" (100 mm) Inbal Valves.