


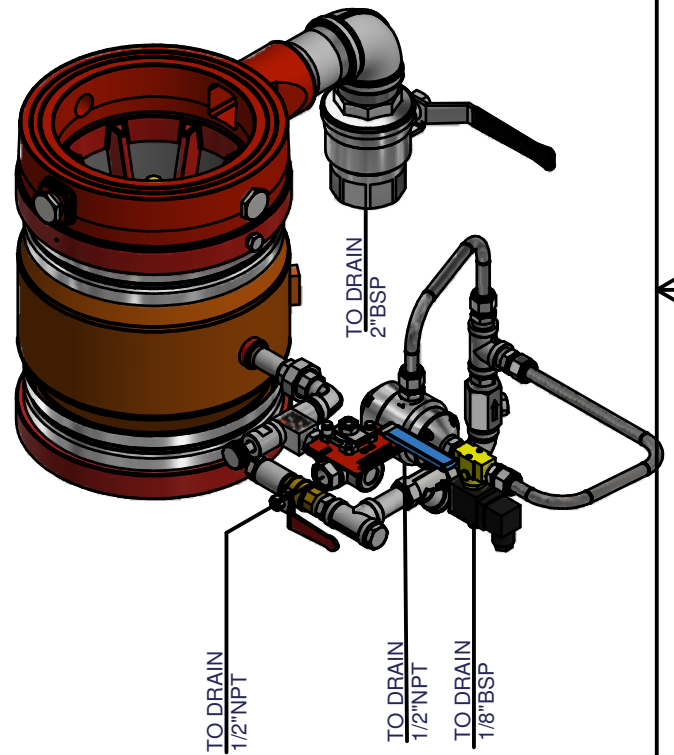
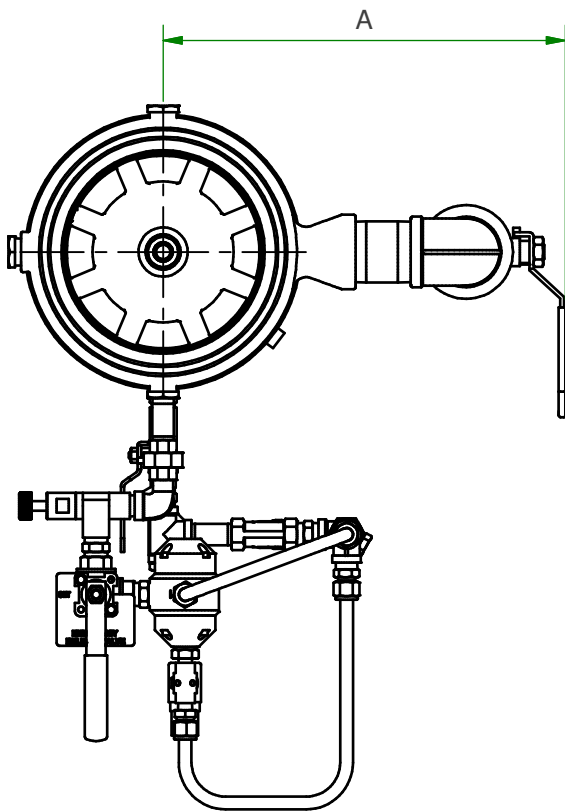
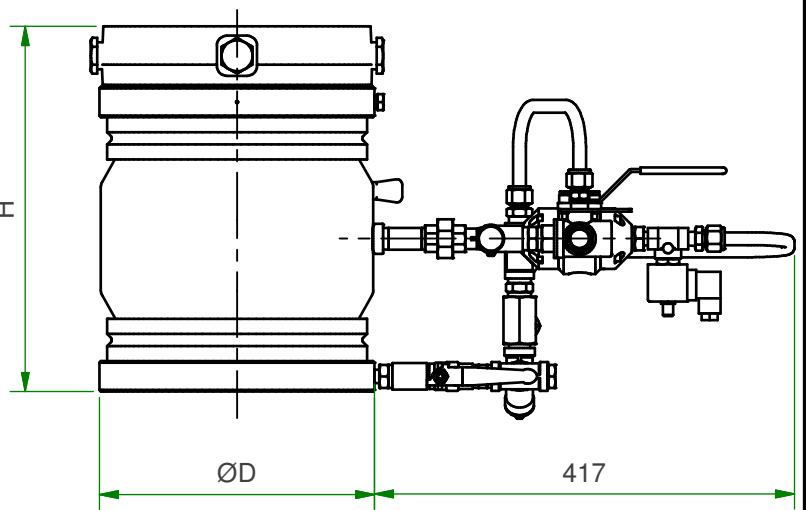
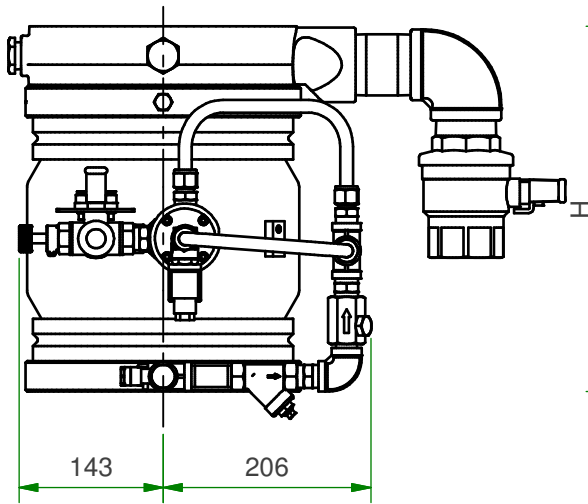
Parts List

ITEM	DESCRIPTION	PART NUMBER	MATERIAL	QTY	COMMENTS
1	Inbal Valve	799D DI	Ductile Iron	1	
2	Hydraulic Actuator 3-way	284-08	Brass, Cr-Ni plated	1	
3	3-Way Ball Valve, L-port 347-08-05	347-08-05 handle rotated	St.St.304	1	
4	2-way Ball Valve MxF	351-08-02 L59	Brass	1	
5	Strainer model 31-08-01 (304)	31-08-10 (304)	St.St.304	1	
6	Check Valve, 1/2"	6244-1	Brass, Cr-Ni plated	1	
7	3-way Solenoid Valve	151-01	Brass Body	1	IP65
8	Union 1/2" FxF	Union 12 SS	St.St.304	1	
9	Nipple 1/2"x1/4"	Nipple 12x14 SS	St.St.304	2	
10	Hex. Nipple 1/2"	Nipple 12 hex SS	St.St.304	5	
11	Nipple 1/2"x2.5"	Nipple 12x2.5 SS	St.St.304	2	
12	Tee 1/2"	Tee 12 SS	St.St.304	2	
13	Elbow 1/2"x90°	Elbow 12FxF SS	St.St.304	1	
14	Coupling 1/2"NPT	151-7X/8X	St.St.316 body	1	
15	Plug 1/4"	Plug 14 SS	St.St.304	1	
16	Plug 1/2"	Plug 12 SS	St.St.316	1	
17	Plug 3/4"	Plug 34 SS	St.St.304	3	
18	Emergency Release Label	5424-5	St.St.316	1	
19	Twin Ferrules Fitting 1/2"NPTxOD1/2"	Fitting TF 12NPTxOD12	Brass, Ni-Cr plated	3	
20	Twin Ferrules Fitting 1/4"NPTxOD1/2"	Fitting TF 14NPTxOD12	Brass, Ni-Cr plated	1	
21	Tubing OD1/2"	Run01	St.St.316	1	
22	Tubing OD1/2"	Run02	St.St.316	1	
23	Inlet/Outlet Spacer		Dictile Iron	1	
24	2-Way Ball Valve 2"BSPT	351-32-02 angle 90	Brass, Cr-Ni plated	1	
25	Nipple 2"x3/4"	Nipple 2x82 SS	St.St.304	1	
26	Elbow 2"x90°	Elbow 2FxF SS	St.St.304	1	
27	GASKET 8"	GASKET8	AFM30	1	S=1.5...3 mm
28	Street Elbow 1/2"x90°	Elbow 12MxF SS	St.St.304	1	
29	Opening Speed Control	367-08	Brass Cr-Ni plated	1	

with opening speed control

ITEM	DESCRIPTION	GR.DIMENSIONS	QTY	PATTERN	MOULD	NOTES	
 <p>The drawing and/or data disclosed herein or herewith contain information that is confidential and proprietary to INBAL. This information shall not, in whole or in part, be reproduced, duplicated, copied, disclosed or used for any purpose without the prior written consent of INBAL. All authorised reproduction shall bear these notes.</p>							
	NAME	SIGN	DATE	DIM TOLERANCE	ANGLE TOLERANCE	SUBJECT	
DRAWN	D.G.		24/03/2020	±10	±1	<b>REMOTE CONTROL VALVE</b> <b>ELECTRIC ACTUATION</b> <b>SIZES: 6"-12"</b>	
DESIGN	V.G.		24/03/2020	DRAWING No'	REV.		SCALE:
CHECK				799DX-02HME11-0	00		NONE
APPROV				PAGE 1 OF 2	F.D24/03/2020		
<small>Z:\STANDARD SYSTEM\700DX-02HME\799DX-02HME11-01.dwg PD96-01</small>							

MODEL:  
799DX-  
02HME11  
-O  
A4



SIZE	ØD	H	A	WEIGHT, kg
6"	218	298±2	375	39
8"	273	362±2	400	55
10"	324	410±2	460	75
12"	381	503±3	490	110

with opening speed control

ITEM	DESCRIPTION	GR.DIMENSIONS	QTY	PATTERN	MOULD	NOTES
------	-------------	---------------	-----	---------	-------	-------



The drawing and/or data disclosed herein or herewith contain information that is confidential and proprietary to INBAL. This information shall not, in whole or in part, be reproduced, duplicated, copied, disclosed or used for any purpose without the prior written consent of INBAL. All authorised reproduction shall bear these notes.

	NAME	SIGN	DATE	DIM TOLERANCE	ANGLE TOLERANCE	SUBJECT	MODEL:	
DRAWN	D.G.		24/03/2020	±10	±1	REMOTE CONTROL VALVE ELECTRIC ACTUATION SIZES: 6"-12"	799DX-02HME11	
DESIGN	V.G.		24/03/2020	DRAWING No'	REV.		SCALE:	-O
CHECK				799DX-02HME11-0	00		NONE	
APPROV				PAGE 2 OF 2	F.D24/03/2020			A4

Z:\STANDARD SYSTEM\700DX-02HME\799DX-02HME11-0.dwg PD96-01